



1-800-283-6266

Phone: (713) 466-1449 Fax: (713) 466-1703

E-Mail: customerservice@enconsafety.com



THERMA-FLOW® FREEZE PROTECTED SHOWER/EYEWASH W/FREEZE & SCALD VALVES

PART NUMBER: TF30B5304000

SPECIFICATION:

Third party certified to ANSI Z358.1, the Therma-Flow® freeze protected shower and eyewash unit shall deliver 20 gpm (75.7 lpm) from the shower head and 3.2 gpm (12.1 lpm) from the eyewash when supplied with volumes @ 40/70 psi (275.7/482.6 kPa). Unit shall provide a non-injurious flow of water for 15 minutes or longer. Shower shall be supplied with 1¼” bronze single motion activation stay open ball valve with chrome plated (CP) ball. Eyewash to be supplied with ½” bronze self draining valve with CP ball. Unit shall include actuators with actuation graphics, automatic freeze and scald protection valves, area light and schedule 80 galvanized steel piping with flanged floor mounting plate for freestanding installation. Unit to be enclosed in easily removable ABS shell secured with elastomer seals for easy access of components for servicing. Internal water temperature shall be maintained (50° F/10°C) using self-limiting heat trace cable and thermostat. A heat trace indicator light shall be provided for confirmation of heat trace activation. Shower head shall be supplied with self-adjusting 20 gpm (75.7 lpm) regulator. Eyewash heads shall be supplied with 3.2 gpm (12.1 lpm) regulator to assure a constant and even dual stream flow and pattern under 40/70 psi (275.7/482.6 kPa) hydraulic conditions. Shower head to be manufactured of UV resistant high visibility yellow ABS plastic and must deliver a minimum of 20” (50.8cm) diameter pattern to the target area 60” (152.4cm) above standing level. Eyewash heads with float off covers to be manufactured of UV resistant ABS plastic. Float off covers are secured with stainless steel bead chains and provided to inhibit dust and/or contamination when not in use. Combination units that provide improper flow pattern or contain deteriorating screens/filters are not acceptable. Therma-Flow® freeze protected shower and eyewash combination unit shall be Encon Safety Products Model TF30B5304000. For 30 gpm (113.6 lpm) showerhead, unit shall be TF30A5304000. For 240 volts 20 gpm (75.7 lpm) model, unit shall be TF40B5304000.

MATERIALS OF CONSTRUCTION:

PIPING: Schedule 80 galvanized steel.

VALVES: 1¼” Bronze stay open ball valve with CP ball (shower), ½” self draining valve with CP ball (eyewash), stainless steel valve stems, stainless steel push plate with actuation graphic (eyewash) and powder coated carbon steel pull rod assembly with actuation graphic (shower).

SHOWER HEAD: Yellow ABS plastic.

EYEWASH HEAD: ABS plastic dual stream heads with ABS plastic float off covers secured with stainless steel bead chains.

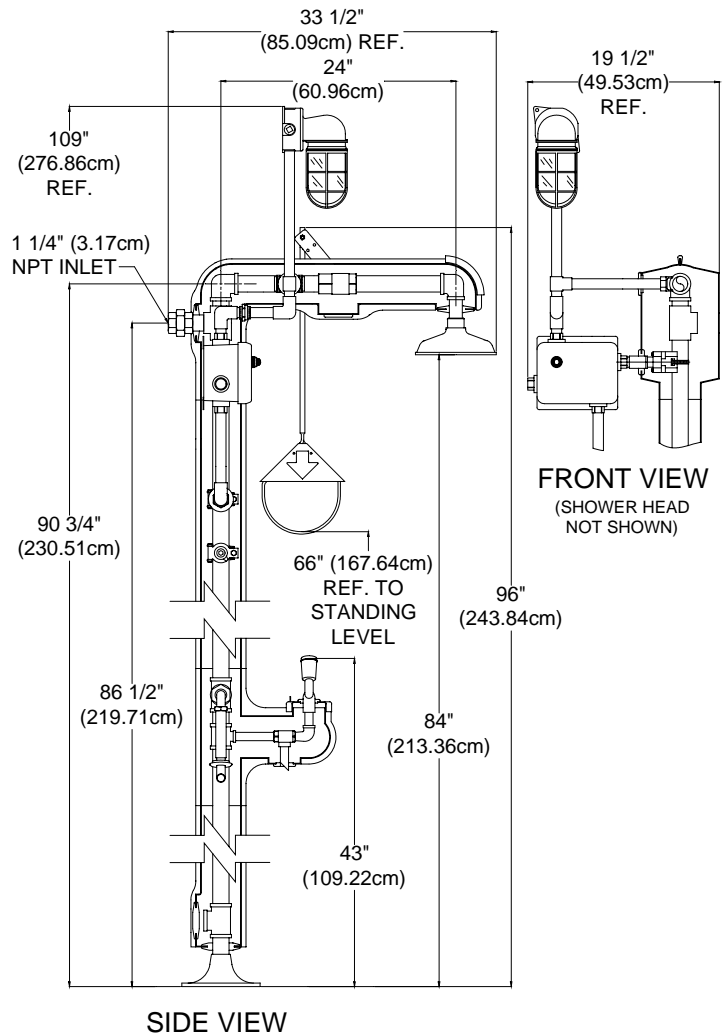
REGULATOR: Self-adjusting 20 gpm (75.7 lpm) shower and 3.2 gpm (12.1 lpm) eyewash regulators.

SUPPLY: 1 ¼” NPT

ELECTRICAL REQUIREMENTS: Self-limiting heat trace cable: 120 VAC, 5 watt per foot with a 2.1 Amps cold start up.

AREA LIGHT: Blue globe, .83 Amp, 120 VAC.

ELECTRICAL CLASSIFICATION: Class 1 DIV 2 Group B, C & D, Class 2 DIV 2 Group F & G.



| MODEL # | DESCRIPTION |
|--------------|------------------------------|
| TF30B5304000 | Unit as Specified |
| TF30A5304000 | With 30 gpm shower head |
| TF40B5304000 | Unit as Specified, 240 volts |

Doc. No: TF30B5304000.2

Issue Date: 06/01/04

Sec: Freeze Protected

© 2004 Encon Safety Products

Visit our website: www.enconsafety.com

ANSI CERTIFIED