

**Encon**<sup>®</sup>  
SAFETY PRODUCTS

1-800-283-6266

Phone: (713) 466-1449 Fax: (713) 466-1703  
E-Mail: customerservice@enconsafety.com



# SHOWER WITH PVC PIPING

## PART NUMBER: 01060001

**SPECIFICATION:**

Third party certified to ANSI Z358.1, the shower shall deliver 30 gpm (113.6 lpm) @ 30/70 psi (206.8/482.6 kPa) of flowing pressure. Unit shall provide a non-injurious stream of water for 15 minutes or longer. Unit shall be supplied with 1½" corrosion resistant Polane<sup>®</sup> coated bronze single motion activation stay open ball valve with CP ball. Shower shall include SS actuator with actuation graphic, schedule 80 corrosion resistant PVC piping and 1½" supply connection with flanged floor mounting plate for floor/wall supported installation. Shower head shall be supplied with self-adjusting 30 gpm (113.6 lpm) regulator to assure a constant flow and pattern under varying hydraulic conditions. Shower head to be manufactured of UV resistant high visibility yellow ABS plastic to deliver a minimum of 20" (50.8 cm) diameter pattern to the target area 60" (152.4 cm) above standing level. Shower units that provide improper flow level. Shower units that provide improper flow pattern are not acceptable. Shower unit shall be Encon Safety Products Model 01060001.

**\*Note:** Where hazardous materials are used that are injurious to the skin, proper eyewash or eye/facewash installation with the shower is recommended

**MATERIALS OF CONSTRUCTION:**

**PIPING:** Schedule 80 corrosion resistant PVC piping and socket weld joints.

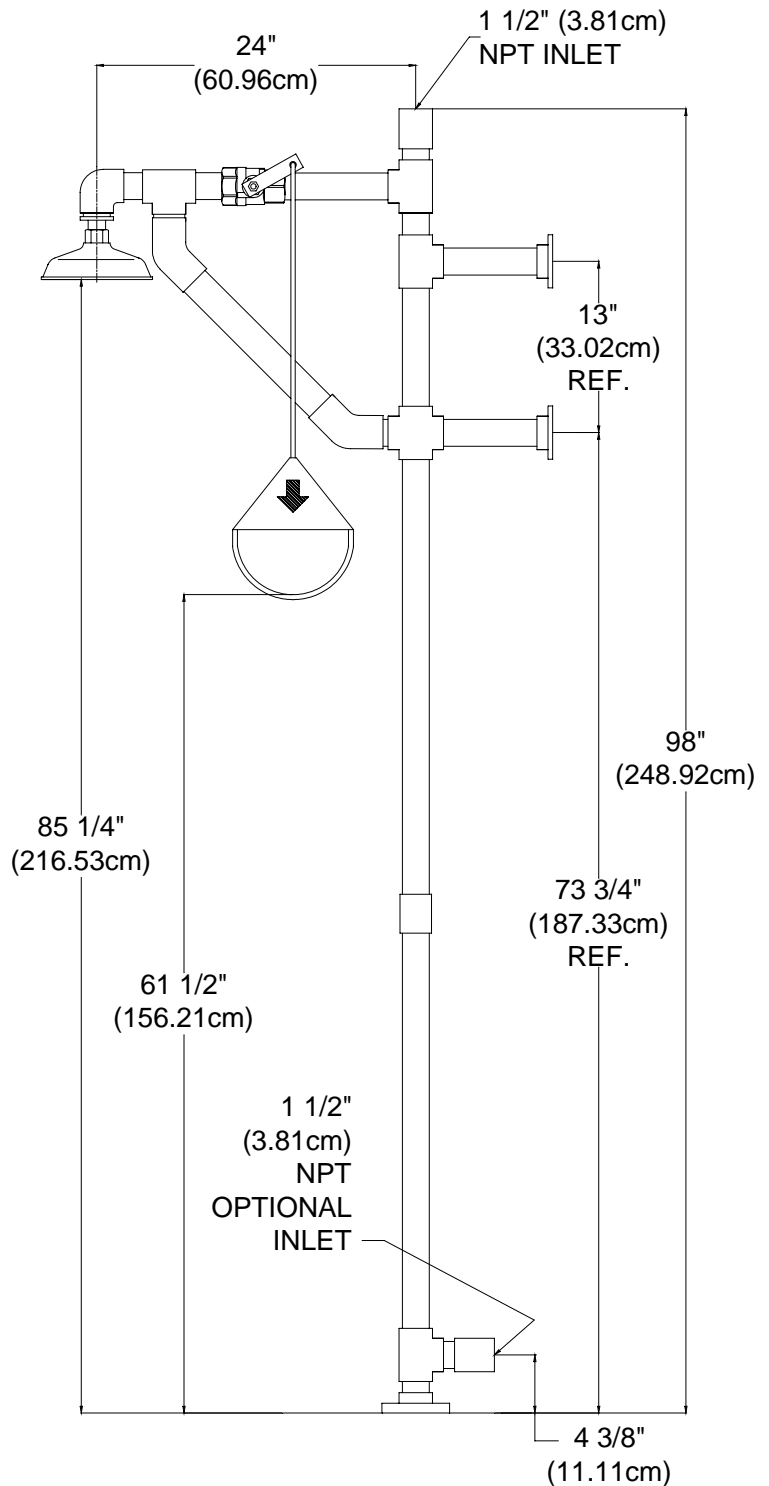
**VALVE:** 1½" Polane<sup>®</sup> coated bronze stay open ball valve with chrome plated ball, stainless steel valve stem and stainless steel pull rod assembly with actuation graphic.

**SHOWER HEAD:** Yellow ABS plastic shower head.

**REGULATOR:** Self-adjusting 30 gpm (113.6 lpm) regulator.

**SUPPLY** 1 ½" NPT

**WEIGHT** 34 lbs (15.42 kgs)



Polane<sup>®</sup> is polyurethane enamel and a registered trademark of Sherwin Williams.

MODEL #	DESCRIPTION
01060001	Unit as Specified