

**SPECIFICATION:**

Third party certified to ANSI Z358.1, the shower shall deliver 30 gpm (113.6 lpm) @ 30/70 psi (206.8/482.6 kPa) of flowing pressure. Shower shall provide a non-injurious stream of water for 15 minutes or longer. Unit shall be supplied with 1" chrome plated (CP) bronze single motion activation stay open ball valve with CP ball, chrome plated actuators with actuation graphic, schedule 80 hot dip galvanized piping and 1" supply connection. Shower head shall be supplied with self-adjusting 30 gpm (113.6 lpm) regulator to assure a constant flow and pattern under 30/70 psi (206.8/482.6 kPa) hydraulic conditions. Shower head to be manufactured of type 304 stainless steel with flange for flush installation. Shower head must deliver a minimum of 20" (50.8 cm) diameter pattern to the target area 60" (152.4 cm) above standing level. Shower units that provide improper flow pattern are not acceptable. Shower unit shall be Encon Safety Products Model 01052507. For 20 gpm (75.7 lpm) showerhead with regulator, unit shall be Encon Safety Products Model 01052518.

**MATERIALS OF CONSTRUCTION:**

**PIPING:** Schedule 80 hot dip galvanized steel.

**VALVE:** 1" chrome plated bronze stay open ball valve with chrome plated ball, stainless steel valve stem and chrome plated two-way actuator with separate on/off pull rings and actuation graphics.

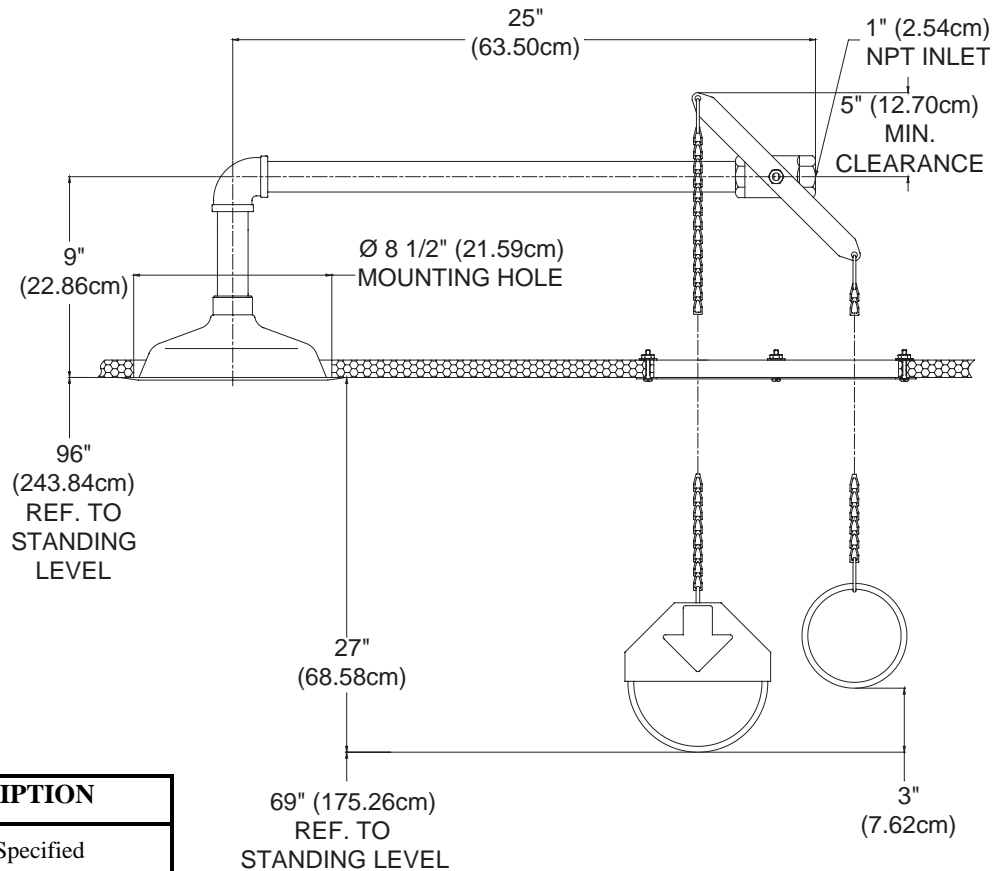
**CHAIN:** Type 302 stainless steel trade size 1 safety chain.

**SHOWER HEAD:** Type 304 stainless steel shower head.

**REGULATOR:** Self-adjusting 30 gpm (113.6 lpm) regulator.

**SUPPLY:** 1" NPT

**WEIGHT:** 11 lbs (4.98 kgs)



MODEL #	DESCRIPTION
01052507	Unit as Specified
01052518	Unit with 20 gpm regulator