

Encon[®]
SAFETY PRODUCTS

1-800-283-6266

Phone: (713) 466-1449 Fax: (713) 466-1703
E-Mail: customerservice@enconsafety.com



FREEZE RESISTANT SHOWER/ EYEWASH W/YELLO-BOWL[®] AND MANUAL FREEZE VALVE

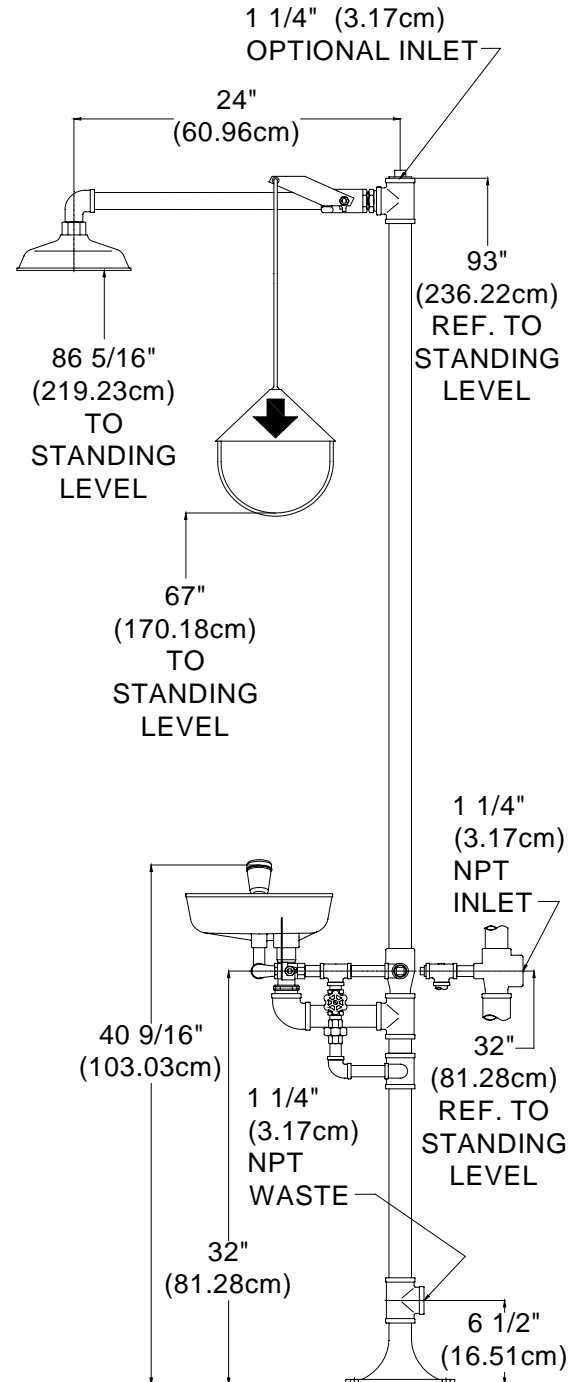
PART NUMBER: 01050316

SPECIFICATION:

Third party certified to ANSI Z358.1, the combination shower and eyewash with manual freeze valve unit shall deliver 30 gpm (113.6 lpm) @ 30/70 psi (206.8/482.6 kPa) of flowing pressure from the showerhead and 3.2 gpm (12.1 lpm) @ 30/70 psi (206.8/482.6 kPa) of flowing pressure from the eyewash. Unit shall provide a non-injurious stream of water for 15 minutes or longer. Combination unit shall be supplied with chrome plated (CP) bronze single motion activation stay open ball valves with CP balls. Valve sizes: shower 1", eyewash 1/2". Unit shall include SS actuators with actuation graphics, 1/2" manual freeze protection valve and 1 1/4" supply/waste connection with flanged floor mounting plate for free-standing installation. Valve to be opened manually when water temperatures are below 35°F (2°C). Shower head shall be supplied with self-adjusting 30 gpm (113.6 lpm) regulator. Eyewash heads to be supplied with self-adjusting 3.2 gpm (12.1 lpm) regulator to assure a constant and even dual stream flow pattern under 30/70 psi (206.8/482.6 kPa) hydraulic conditions. Shower head to be manufactured of UV resistant high visibility yellow ABS plastic. Shower head must deliver a minimum of 20" (50.8 cm) diameter pattern to the target area 60" (152.4 cm) above standing level. Eyewash heads with float off covers to be manufactured of UV resistant ABS plastic mounted in a high visibility ABS Yello-Bowl[®]. Eyewash float off covers are secured with stainless steel bead chains and provided to inhibit dust and/or contamination when not in use. Combination units that provide improper flow pattern or contain deteriorating screens/filters are not acceptable. Combination unit shall be Encon Safety Products Model 01050316.

MATERIALS OF CONSTRUCTION:

- PIPING:** Schedule 80 hot dip galvanized steel.
- VALVE:** Chrome plated bronze stay open ball valves with chrome plated balls, stainless steel valve stems, stainless steel push plate with actuation graphic (eyewash) and stainless steel pull rod assembly with actuation graphic (shower). Valve sizes: shower 1", eyewash 1/2".
- SHOWER HEAD:** Yellow ABS plastic shower head.
- EYEWASH HEAD:** ABS plastic dual stream heads with ABS plastic float off covers secured with stainless steel bead chains.
- BOWL:** High visibility ABS plastic Yello-Bowl[®].
- REGULATOR:** Self-adjusting 30 gpm (113.6 lpm) shower and 3.2 gpm (12.1 lpm) eyewash regulators.
- FREEZE VALVE:** Manually activated to pass water through unit.
- SUPPLY:** 1 1/4" NPT
- WASTE:** 1 1/4" NPT
- WEIGHT:** 58 lbs (16.30 kgs)



MODEL #	DESCRIPTION
01050316	Unit as Specified

Doc. No: 01050316.1
Issue Date: 06/01/04
Sec: Freeze Resistant