

**Encon**<sup>®</sup>  
SAFETY PRODUCTS

1-800-283-6266

Phone: (713) 466-1449 Fax: (713) 466-1703  
E-Mail: customerservice@enconsafety.com



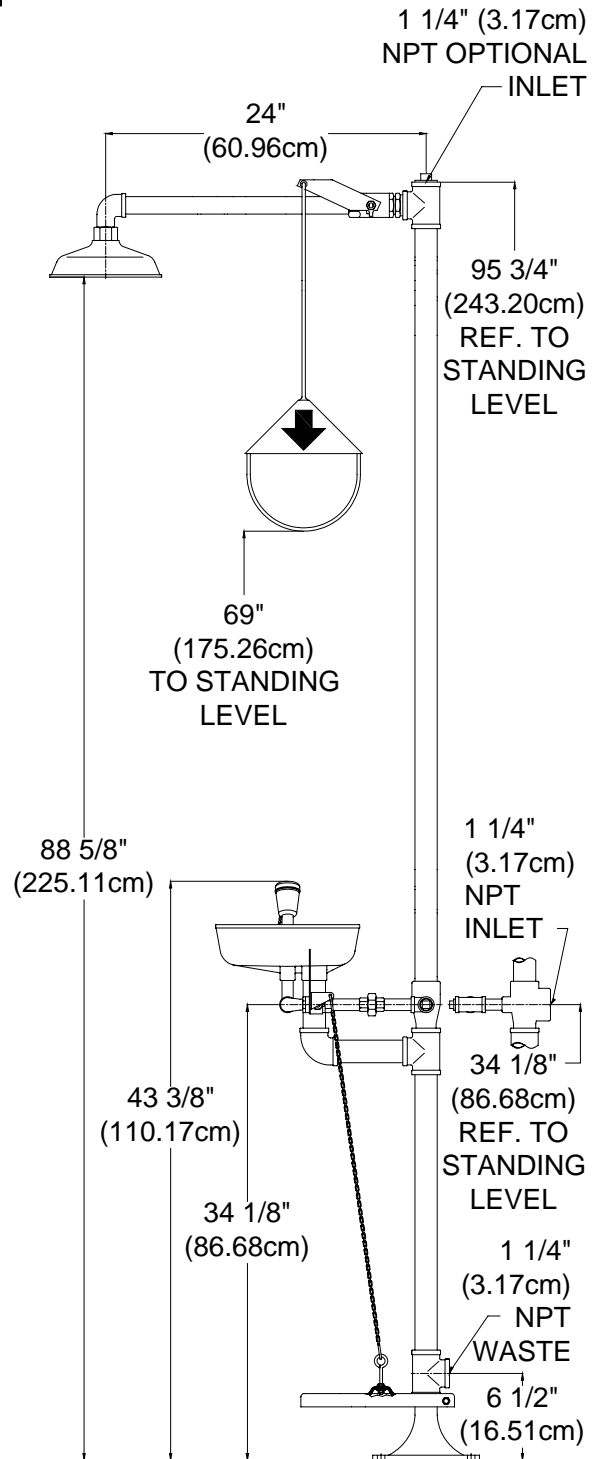
# COMBINATION SHOWER EYEWASH W/YELLO-BOWL<sup>®</sup> HAND/FOOT OPERATED PART NUMBER: 01050290

**SPECIFICATION:**

Third party certified to ANSI Z358.1, the combination shower and eyewash shall deliver 30 gpm (113.6 lpm) @ 30/70 psi (206.8/482.6 kPa) of flowing pressure from the shower head and 3.2 gpm (12.1 lpm) @ 30/70 psi (206.8/482.6 kPa) of flowing pressure from the eyewash. Unit shall provide a non-injurious stream of water for 15 minutes or longer. Combination unit shall be supplied with chrome plated (CP) bronze single motion activation stay open ball valves with CP balls. Valve sizes: shower 1", eyewash 1/2". Unit shall include dual operated hand or foot treadle actuators for the eyewash, SS actuators with actuation graphics, and 1 1/4" supply/drain connection with flanged floor mounting plate for free-standing installation. Shower head shall be supplied with self-adjusting 30 gpm (113.6 lpm) regulator. Eyewash heads to be supplied with self-adjusting 3.2 gpm (12.1 lpm) regulator to assure a constant and even dual stream flow pattern under 30/70 psi (206.8/482.6 kPa) hydraulic conditions. Shower head and foot treadle to be manufactured of UV resistant high visibility yellow ABS plastic. Shower head to deliver a minimum of 20" (50.8 cm) diameter pattern to the target area 60" (152.4 cm) above standing level. Eyewash unit with float off covers to be manufactured of UV resistant ABS plastic mounted in a high visibility ABS Yello-Bowl<sup>®</sup>. Eyewash float off covers are secured with stainless steel bead chains and provided to inhibit dust and/or contamination when not in use. Combination units that provide improper flow pattern or contain deteriorating screens/filters are not acceptable. Combination unit shall be Encon Safety Products Model 01050290.

**MATERIALS OF CONSTRUCTION:**

- PIPING:** Schedule 80 hot dip galvanized steel.
- VALVES:** Chrome plated bronze stay open ball valves with chrome plated balls, stainless steel valve stems, U.V. resistant ABS plastic foot treadle (eyewash), stainless steel push plate with actuation graphic (eyewash) and stainless steel pull rod assembly with actuation graphic (shower).
- SHOWER HEAD:** Yellow ABS plastic shower head.
- EYEWASH HEAD:** ABS plastic dual stream heads with ABS plastic float off covers secured with stainless steel bead chains.
- BOWL:** High visibility ABS plastic Yello-Bowl<sup>®</sup>.
- REGULATOR:** Self-adjusting 30 gpm (113.6 lpm) shower and 3.2 gpm (12.1 lpm) eyewash regulators.
- SUPPLY:** 1 1/4" NPT
- WASTE:** 1 1/4" NPT
- WEIGHT:** 61 lbs (27.66 kgs)



MODEL #	DESCRIPTION
01050290	Unit as Specified