



1-800-283-6266

Phone: (713) 466-1449 Fax: (713) 466-1703

E-Mail: customerservice@enconsafety.com

WHEELCHAIR ACCESSIBLE COMBINATION SHOWER/EYE/FACEWASH WITH SS BOWL PART NUMBER: 01050273

SPECIFICATION:

Wheelchair accessible combination shower and eye/facewash unit shall deliver 30 gpm (113.6 lpm) @ 30/70 psi (206.8/482.6 kPa) of flowing pressure from the shower head and 8.0 gpm (30.3 lpm) @ 30/70 psi (206.8/482.6 kPa) of flowing pressure from the eye/facewash. Unit shall provide a non-injurious stream of water for 15 minutes or longer as required by ANSI Z358.1. Combination unit shall be supplied with chrome plated (CP) bronze single motion activation stay open ball valves with CP balls. Valve sizes: shower 1", eye/facewash 1/2". Unit shall include S/S actuators with actuation graphics, schedule 80 hot dip galvanized steel piping and 1 1/4" supply/waste connection with flanged floor mounting plate for free-standing installation. Shower head shall be supplied with self-adjusting 30 gpm (113.6 lpm) regulator. Eye/Facewash heads to be supplied with self-adjusting 8.0 gpm (30.3 lpm) regulator to assure a constant and even dual stream flow pattern under 30/70 psi (206.8/482.6 kPa) hydraulic conditions. Shower head to be manufactured of UV resistant high visibility yellow ABS plastic. Shower head must deliver a minimum of 20" (50.8cm) diameter pattern to the target area 60" (152.4cm) above standing level. Eye/Facewash heads with float off covers to be manufactured of UV resistant ABS plastic mounted on a chrome plated brass wye in a type 304 SS bowl. Eye/facewash float off covers are secured with stainless steel bead chains and provided to inhibit dust and/or contamination when not in use. Combination units that provide improper flow pattern or contain deteriorating screens/filters are not acceptable. Wheelchair accessible combination unit shall be Encon Safety Products Model 01050273.

MATERIALS OF CONSTRUCTION:

PIPING: Schedule 80 hot dip galvanized steel.

VALVES: Chrome plated bronze stay open ball valves with chrome plated balls, stainless steel valve stems, stainless steel push plate with actuation graphic (eye/facewash) and stainless steel chain with actuation graphic (shower).

SHOWER HEAD: Yellow ABS plastic shower head.

EYE/FACEWASH HEAD: ABS plastic dual stream heads with ABS plastic float off covers secured with stainless steel bead chains and chrome plated brass wye assembly.

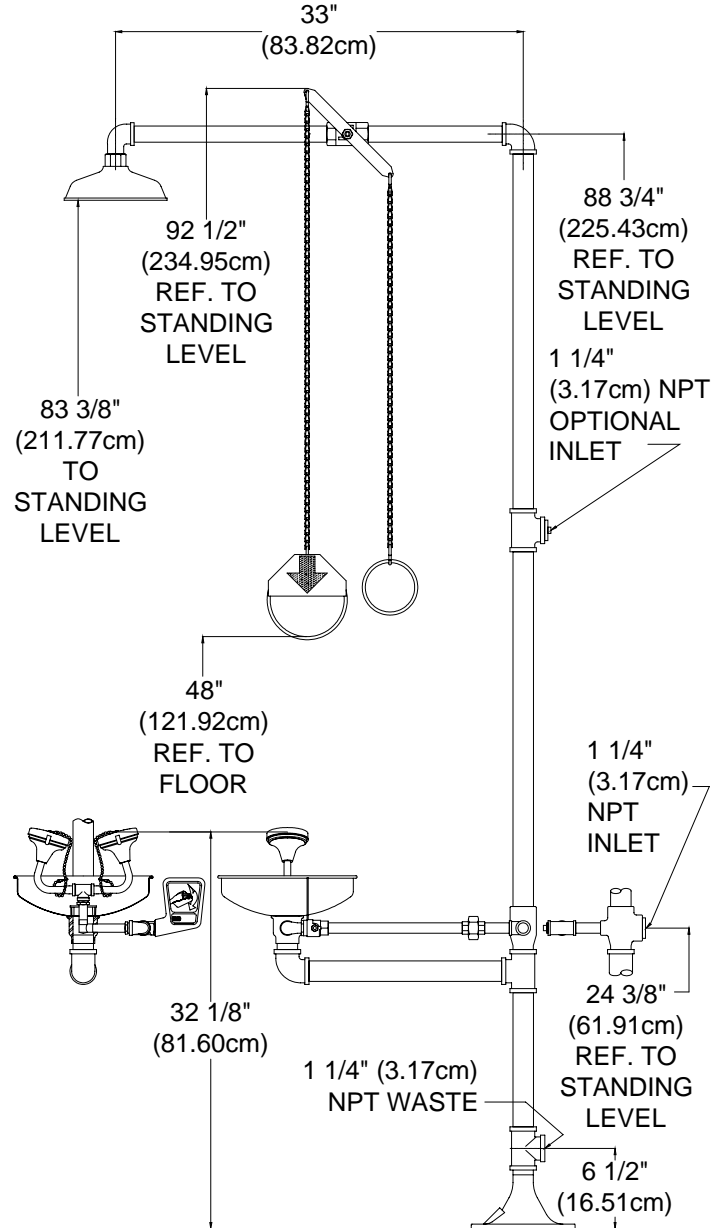
BOWL: Type 304 stainless steel.

REGULATOR: Self-adjusting 30 gpm (113.6 lpm) shower and (2) 4.0 gpm (15.1 lpm) eye/facewash regulators.

SUPPLY; 1 1/4" NPT

WASTE: 1 1/4" NPT

WEIGHT: 63 lbs (28.58 kgs)



MODEL #	DESCRIPTION
01050273	Unit as Specified