



1-800-283-6266

Phone: (713) 466-1449 Fax: (713) 466-1703  
E-Mail: customerservice@enconsafety.com



# COMBINATION SHOWER/EYE/FACEWASH WITH SS BOWL, SS BOWL COVER PART NUMBER: 01050234SBC

**SPECIFICATION:**

The emergency shower and eye/face wash combination unit shall be Encon Safety Products Model 01050234SBC.

The Encon combination shower and eye/face wash shall deliver 30 gpm (113.6 lpm) water from the shower head and 8.0 gpm (30.3 lpm) to assure a constant, even dual stream flow pattern under 30/70 psi (144 lpm @ 206.8/482.6 kPa) from the eye/facewash in non-injurious patterns. Shower head must deliver a minimum of 20" (50.8 cm) diameter pattern to the target area 60" (152.4 cm) above standing level. Combination units that provide improper flow pattern or contain deteriorating screens/filters are not acceptable. The bowl is a type 304 SS and includes a type 304 SS cover to inhibit dust and/or particulate accumulation on the eyewash heads when not in use. The cover shall open immediately on actuation of the eye/face wash valve and will be able to be opened or closed manually, separate of the eye/face wash actuator, to allow for ease of maintenance of the eye/face wash nozzle assembly under the bowl cover. The shower and eye/face wash shall be third party certified to meet the ANSI Z358.1 standard.

**MATERIALS OF CONSTRUCTION:**

**PIPING:** Schedule 80 hot dip galvanized steel.

**VALVES:** Chrome plated bronze stay open ball valves with chrome plated balls, stainless steel valve stems, stainless steel push plate with actuation graphic (eye/facewash) and stainless steel pull rod assembly with actuation graphic (shower). Valve sizes: shower 1", eye/facewash 1/2". Strainer Tee Option: 1/2" BCP, 16 mesh.

**SHOWER HEAD:** Yellow ABS plastic shower head.

**EYE/FACEWASH HEAD:** UV resistant long lasting ABS plastic dual stream heads mounted on a low profile chrome plated brass wye with ABS plastic float off covers secured with stainless steel bead chains. Includes a brass retainer for the regulators.

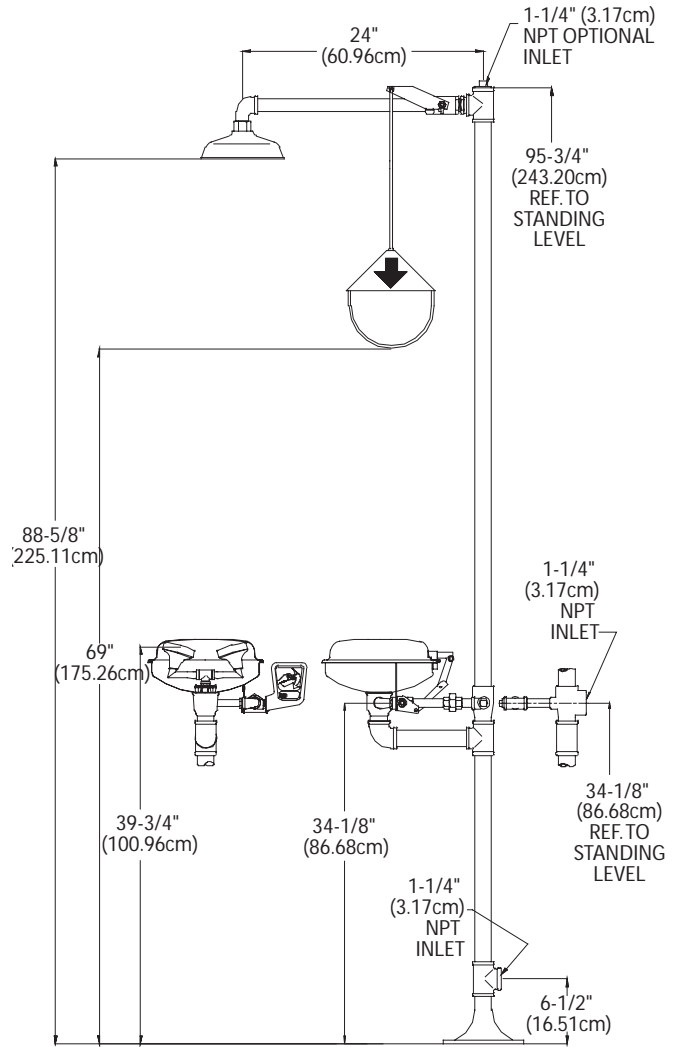
**BOWL:** Type 304 stainless steel bowl and cover attached with stainless steel hardware.

**REGULATOR:** Shower head shall have a self-adjusting 30 gpm (113.6 lpm) regulator. Eye/Facewash shall have a self-adjusting 8.0 gpm (30.3 lpm) regulator to assure a constant and even dual stream flow pattern under 30/70 psi (206.8/482.6 kPa) hydraulic conditions.

**SUPPLY:** 1 1/4" NPT

**WASTE:** 1 1/4" NPT

**WEIGHT:** 60 lbs (27.21 kgs)



MODEL #	DESCRIPTION
01050234SBC	Unit as Specified