

SPECIFICATION:

Third party certified to ANSI Z358.1, the shower head shall deliver 30 gpm (113.6 lpm) @ 30/70 psi (206.8/482.6 kPa) of flowing pressure. Shower shall provide a non-injurious stream of water for 15 minutes or longer. Unit shall be supplied with 1" chrome plated (CP) bronze single motion activation stay open ball valve with CP ball. Shower shall include SS actuator with actuation graphic, schedule 80 hot dip galvanized schedule steel piping and 1 1/4" supply connection with flanged floor mounting plate for free-standing installation. Unit must be supplied with self-adjusting 30 gpm (113.6 lpm) regulator on the shower to assure a constant flow and pattern under 30/70 psi (206.8/482.6 kPa) hydraulic conditions. Shower head to be manufactured of UV resistant high visibility yellow ABS plastic. Shower head must deliver a minimum of 20" (50.8cm) diameter pattern to the target area 60" (152.4cm) above standing level. Shower units that provide improper flow pattern are not acceptable. Shower shall be Encon Safety Products Model 01050200.

***Note:** Where hazardous materials are used that are injurious to the skin, a proper eyewash or eye/facewash installation with the shower is recommended.

MATERIALS OF CONSTRUCTION:

PIPING: Schedule 80 hot dip galvanized steel.

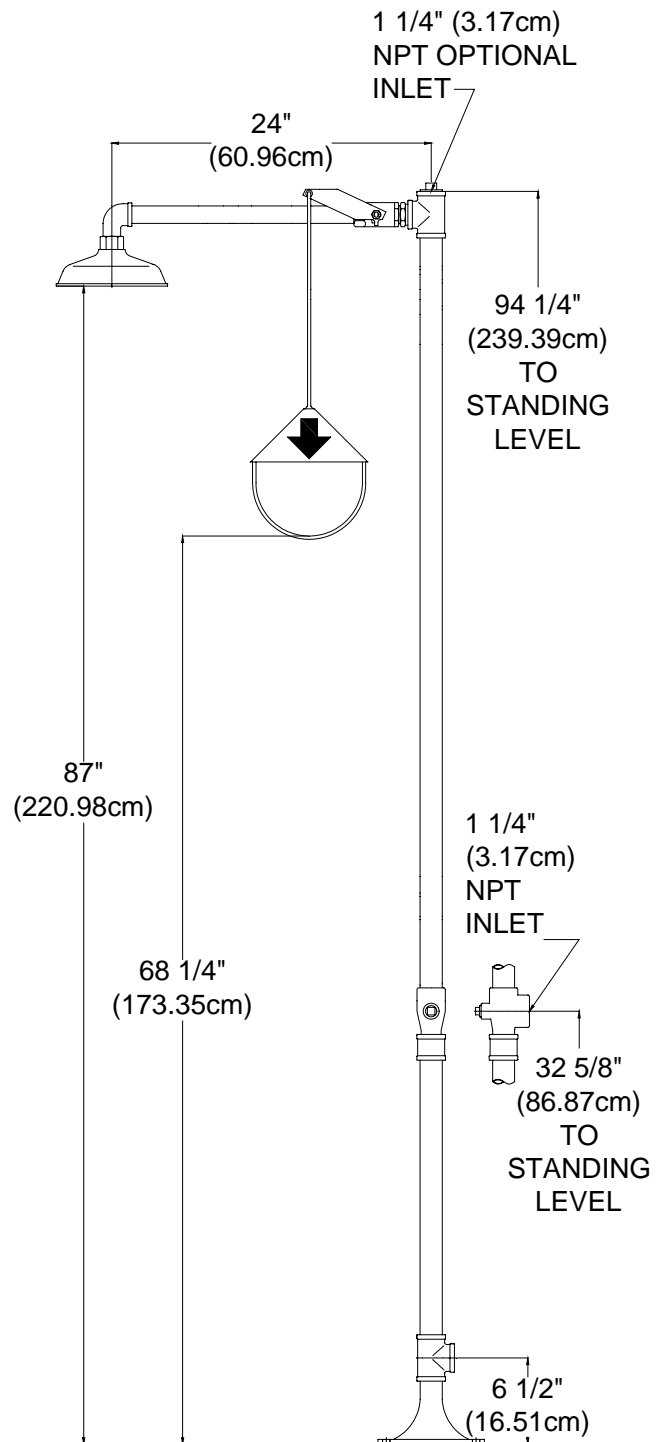
VALVES: 1" chrome plated bronze stay open ball valve with chrome plated ball, stainless steel valve stem and stainless steel pull rod assembly with actuation graphic.

HEAD: Yellow ABS plastic shower head.

REGULATOR: Self-adjusting regulator assures a constant flow pattern of 30 gpm (113.6 lpm) under varying hydraulic conditions.

SUPPLY: 1 1/4" NPT

WEIGHT: 44 lbs (19.96 kgs)



MODEL #	DESCRIPTION
01050200	Unit as Specified