



1-800-283-6266

Phone: (713) 466-1449 Fax: (713) 466-1703

E-Mail: customerservice@enconsafety.com



PEDESTAL MOUNT EYE/FACEWASH W/STAINLESS STEEL BOWL PART NUMBER: 01045502

SPECIFICATION:

Third party certified to ANSI Z358.1, the eye/facewash shall deliver 8.0 gpm (30.3 lpm) @ 30/70 psi (206.8/482.6 kPa) of flowing pressure. Unit shall provide a non-injurious stream of water for 15 minutes or longer. Unit shall be supplied with 1/2" chrome plated (CP) single motion activation stay open ball valve with CP ball. Eye/Facewash shall include stainless steel (SS) actuator with actuation graphic, 7"x 11" (17.8cm X 27.9cm) sign, 1/2" CP brass supply piping, schedule 80 hot dip galvanized pedestal mount/drain for free-standing installation. Unit must be supplied with self-adjusting 8.0 gpm (30.3 lpm) regulator to assure a constant and even dual stream flow pattern under 30/70 psi (206.8/482.6 kPa) hydraulic conditions. Eye/facewash heads with float off covers to be manufactured of UV resistant ABS plastic mounted on a chrome plated brass wye in a 304 SS bowl. Float off covers are secured with stainless steel bead chains and provided to prohibit dust and/or contamination when not in use. Eye/Facewash units with deterioration screens/filters are not acceptable. Eye/facewash shall be Encon Safety Products Model 01045502.

MATERIALS OF CONSTRUCTION:

PIPING: Chrome plated brass and schedule 80 hot dip galvanized steel.

VALVE: 1/2" chrome plated bronze stay open ball valve with chrome plated ball, stainless steel valve stem and stainless steel push plate with actuation graphic.

EYE/FACEWASH: ABS plastic dual stream head with ABS plastic float off covers secured with stainless steel bead chains and chrome plated brass wye assembly.

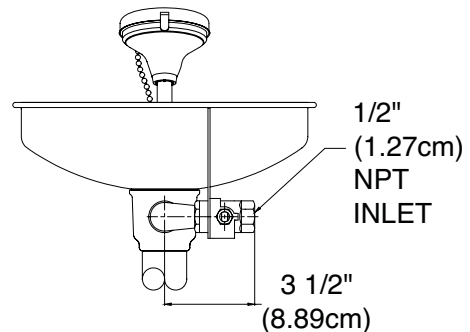
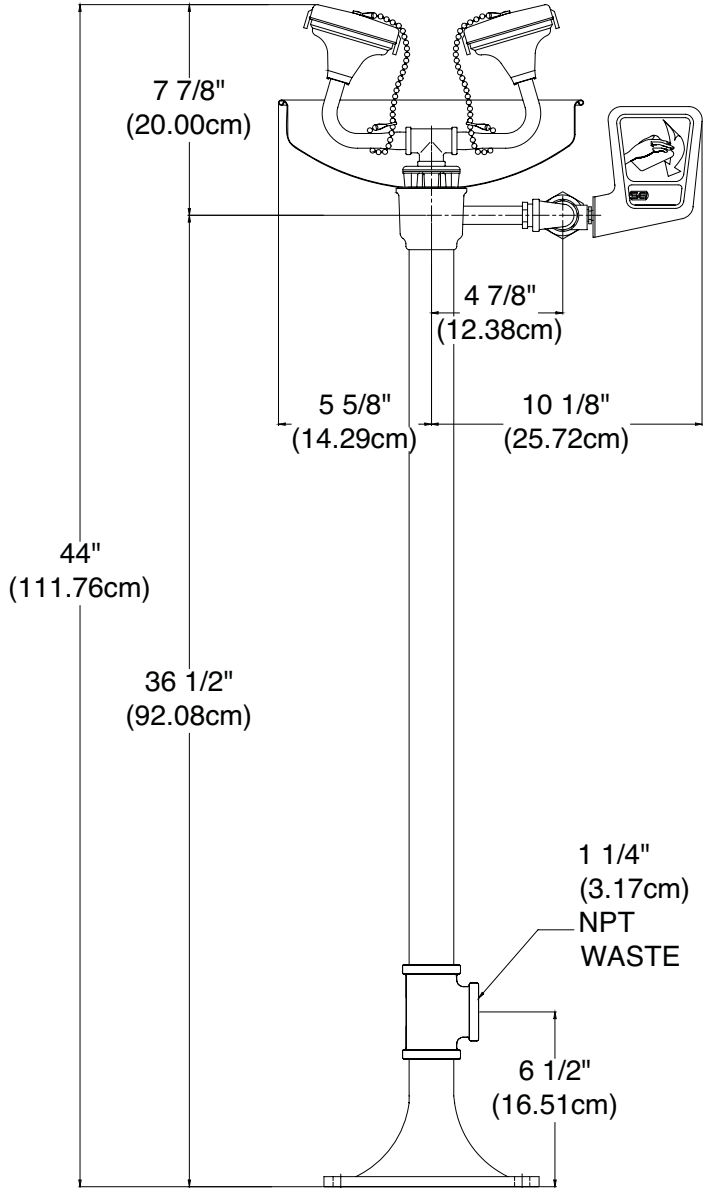
BOWL: Type 304 stainless steel.

REGULATOR: Self-adjusting (2) 4.0 gpm (15.1 lpm) regulators.

SUPPLY: 1/2" NPT

WASTE: 1 1/4" NPT

WEIGHT: 25 lbs (11.34 kgs)



MODEL #	DESCRIPTION
01045502	Unit as Specified