




1-800-283-6266
 Phone: (713) 466-1449 Fax: (713) 466-1703
 E-Mail: customerservice@enconsafety.com

WALL MOUNTED EYEWASH W/STAINLESS STEEL BOWL

PART NUMBER: 01045007

SPECIFICATION:

Third party certified to ANSI Z358.1, the eyewash shall deliver 2.4 gpm (9.1 lpm) @ 30/70 psi (206.8/482.6 kPa) of flowing pressure. Unit shall provide a non-injurious stream of water for 15 minutes or longer. Unit shall be supplied with 1/2" stainless steel (SS) single motion activation stay open ball valve with SS ball. Eyewash shall include SS actuator with actuation graphic, 7" X 11" (17.8cm X 27.9cm) sign, wall mount bracket and SS piping. Unit must be supplied with self-adjusting 2.4 gpm (9.1 lpm) regulator to assure a constant and even dual stream flow pattern under 30/70 psi (206.8/482.6 kPa) hydraulic conditions. Eyewash heads with integral hinged covers to be manufactured of solvent resistant acetal heads mounted on a chrome plated brass wye in a type 304 SS bowl. Eyewash covers are provided to inhibit dust and/or contamination when not in use. Eyewash units with deteriorating screens/filters are not acceptable. Eyewash shall be Encon Safety Products Model 01045007.

MATERIALS OF CONSTRUCTION:

PIPING: Chrome plated brass and 304 stainless steel schedule 40.

VALVE: 1/2" stainless steel stay open ball valve with stainless steel ball and stainless steel push plate with actuation graphic.

EYEWASH HEAD: Acetal dual stream heads with integral hinged covers and chrome plated brass assembly.

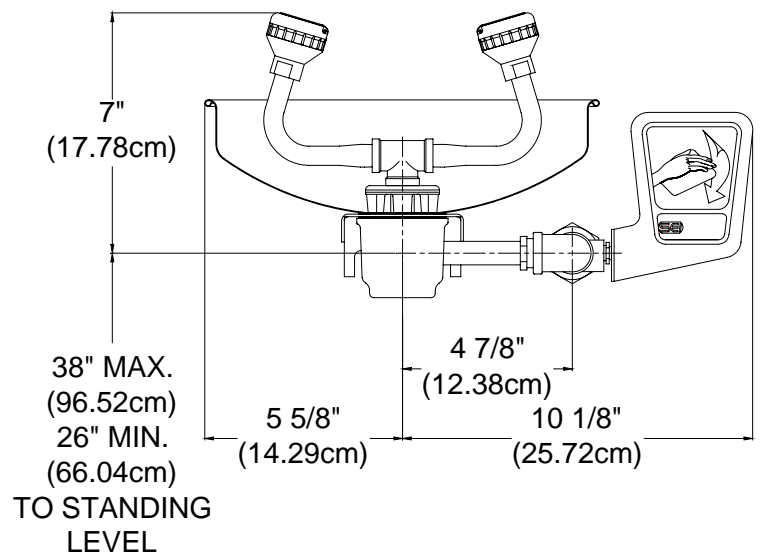
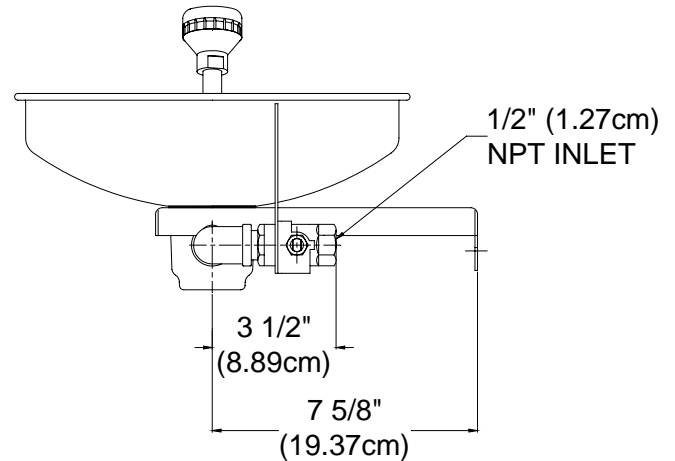
BOWL: Type 304 stainless steel bowl with S/S wall mount bracket.

REGULATOR: Self-adjusting (2) 1.2 gpm (4.5 lpm) regulators.

SUPPLY: 1/2" NPT

WASTE: 1 1/4" NPT

WEIGHT: 9 lbs (4.08 kgs)



MODEL #	DESCRIPTION
01045007	Unit as Specified