

Encon[®]
SAFETY PRODUCTS

1-800-283-6266

Phone: (713) 466-1449 Fax: (713) 466-1703
E-Mail: customerservice@enconsafety.com



WHEELCHAIR ACCESSIBLE WALL RECESSED PULL DOWN EYEWASH PART NUMBER: 01040140

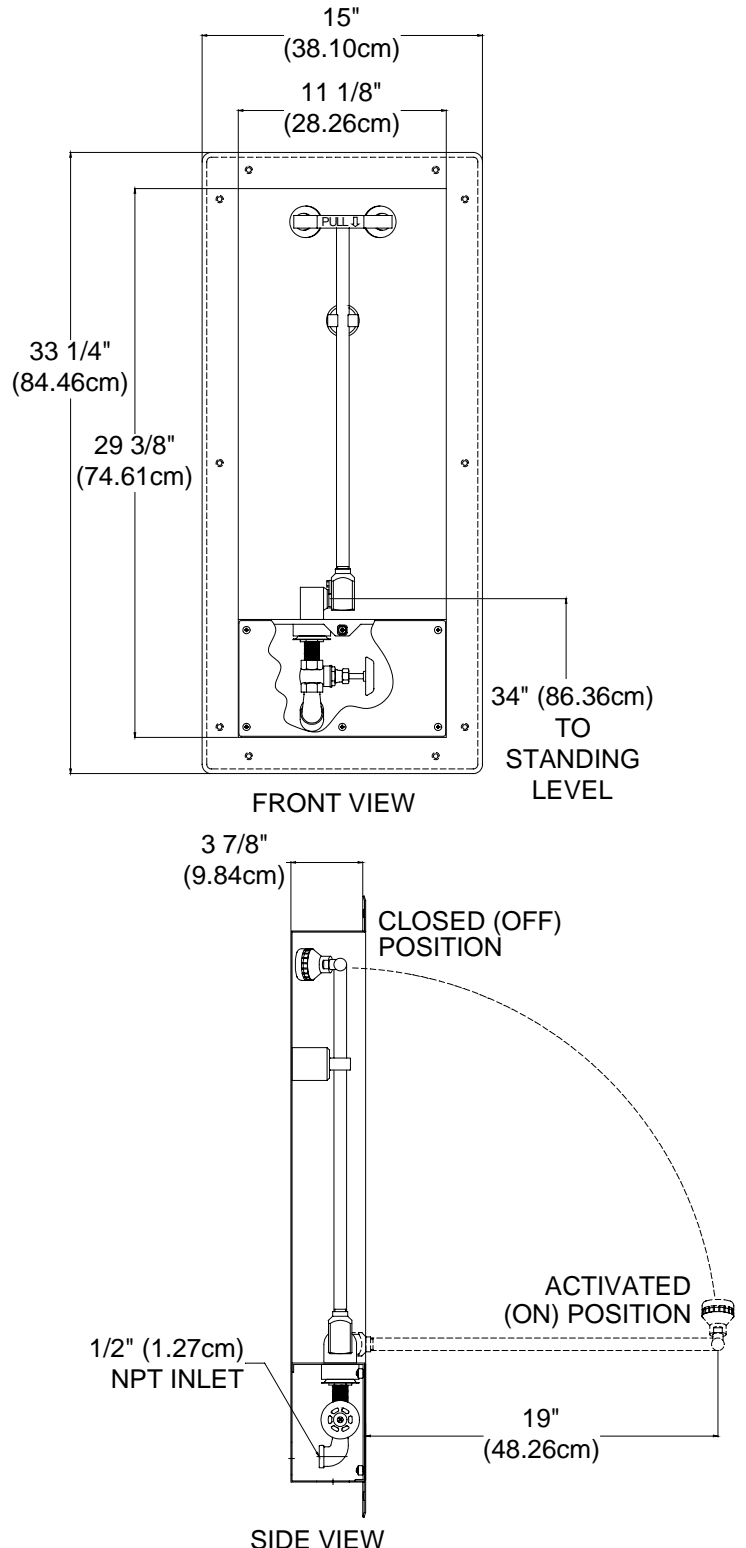
SPECIFICATION:

Third party certified to ANSI Z358.1, the eyewash shall deliver 2.4 gpm (9.1 lpm) @ 30/70 psi (206.8/482.6 kPa) of flowing pressure. Unit shall provide a non-injurious stream of water for 15 minutes or longer. Unit shall be supplied with 1/2" chrome plated (CP) single motion activation stay open valve. Unit shall include type 304 SS recessed cabinet and 7" X 11" (17.8cm X 27.9cm) sign. Unit shall be supplied with self-adjusting 2.4 gpm (9.1 lpm) regulator to assure a constant and even dual stream flow pattern under 30/70 psi (206.8/482.6 kPa) hydraulic conditions. Eyewash heads with integral hinged covers to be manufactured of solvent resistant acetal mounted on a chrome plated brass wye. Eyewash covers are provided to inhibit dust and/or contamination when not in use. Unit shall include an inline cut-off valve concealed behind a removable panel to allow maintenance accessibility. Recessed pull down eyewash units with deteriorating screens/filters are not acceptable. Recessed Wall Mounted Pull Down eyewash shall be Encon Safety Products Model 01040140.

MATERIALS OF CONSTRUCTION:

- PIPING:** 1/2" chrome plated brass.
- VALVE:** 1/2" chrome plated bronze stay open valve with 90° pull down actuator with actuation graphic.
- CABINET:** Type 304 stainless steel with removable access panel.
- EYEWASH HEAD:** Acetal dual stream heads with integral hinged covers and chrome plated brass wye assembly.
- REGULATOR:** Self-adjusting (2) 1.2 gpm (4.5 lpm) regulators.
- CUT-OFF VALVE:** 1/2" Inline gate valve.
- SUPPLY:** 1/2" NPT
- WEIGHT:** 25 lbs (11.34 kgs)

	MODEL #	DESCRIPTION
	01040140	Unit as Specified



Doc. No: 01040140.2
Issue Date: 06/01/04
Sec: Lab Units