

Encon[®]
SAFETY PRODUCTS

1-800-283-6266

Phone: (713) 466-1449 Fax: (713) 466-1703
E-Mail: customerservice@enconsafety.com



PULL DOWN SWING AWAY EYEWASH

PART NUMBER: 01040133

SPECIFICATION:

Third party certified to ANSI Z358.1, the eyewash shall deliver 2.4 gpm (9.1 lpm) @ 30/70 psi (206.8/482.6 kPa) of flowing pressure. Unit shall provide a non-injurious stream of water for 15 minutes or longer. Unit shall be supplied with 1/2" chrome plated (CP) single motion activation stay open valve. Unit shall include right or left hand countertop mounted actuator with actuation graphic and 7" X 11" (17.8cm X 27.9cm) sign. Unit shall have a 13 1/2" (34.29cm) pull down arm assembly for use over sink. Unit shall be supplied with self-adjusting 2.4 gpm (9.1 lpm) regulator to assure a constant flow pattern under 30/70 psi (206.8/482.6 kPa) hydraulic conditions. Eyewash heads with integral hinged covers to be manufactured of long lasting solvent resistant acetal. Eyewash covers are provided to inhibit dust and/or contamination when not in use. Eyewash units with deteriorating screens/filters are not acceptable. Pull down eyewash shall be Encon Safety Products Model 01040133.

MATERIALS OF CONSTRUCTION:

VALVE: Polished chrome plated brass integral swivel valve.

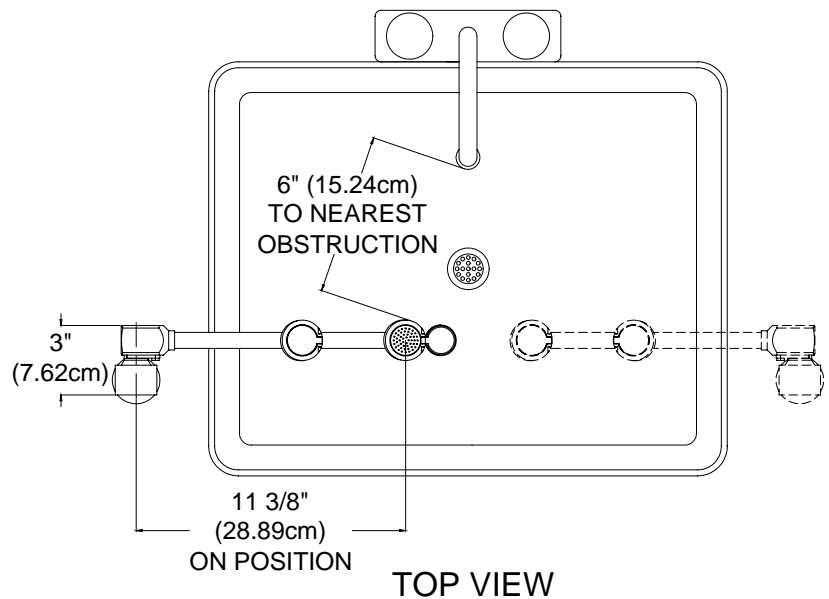
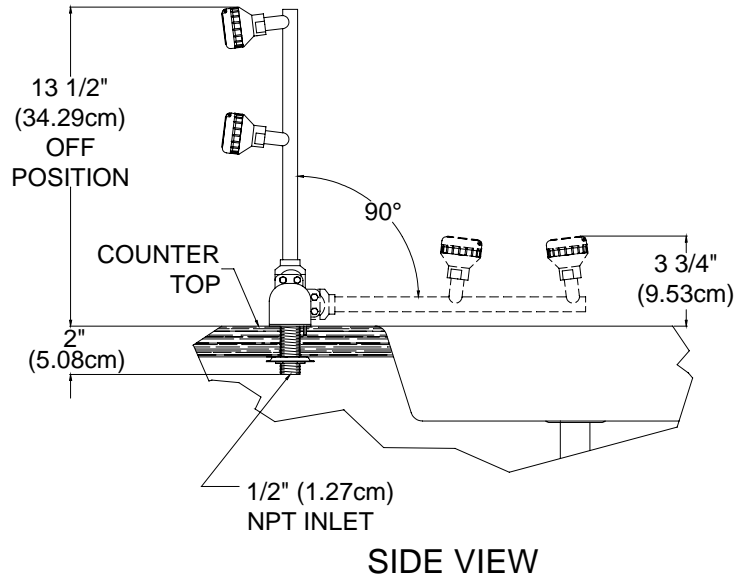
PIPING: Polished chrome plated brass.

HEADS: Acetal heads dual stream with integral hinged covers.

REGULATOR: Self-adjusting (2) 1.2 gpm (4.5 lpm) regulators.

SUPPLY: 1/2" NPT

WEIGHT: 4 lbs (1.81 kgs)



MODEL #	DESCRIPTION
01040133	Unit as Specified