



**PROTECTIVE
WALL CASES**
Protection For Vital Equipment That Must Be Stored In Hostile Environments



DUAL SCBA WALL CASE

ENCON'S DUAL SCBA WALL CASE STORES TWO SCBA IN USER READY POSITION

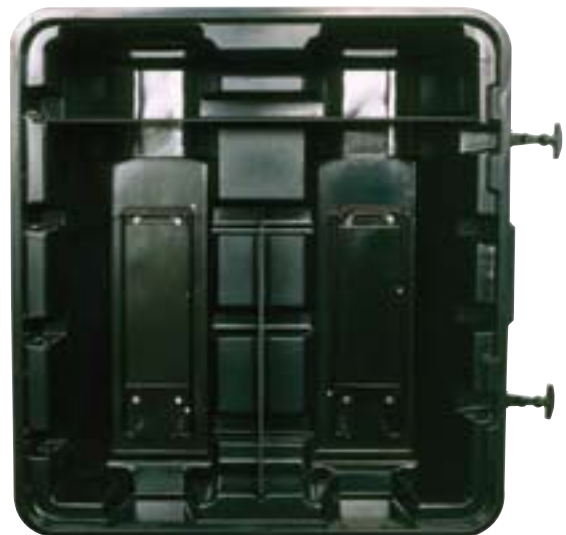
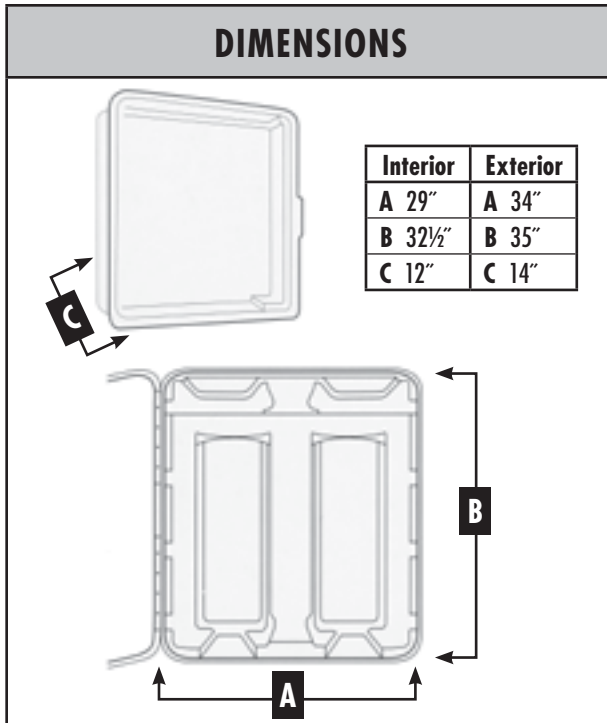
Encon's dual wall case provides protection for two self-contained breathing apparatus in locations with corrosive atmospheres. Storage in the wall case ensures the equipment will be in optimal condition for emergency situations.

FEATURES AND BENEFITS INCLUDE:

- Holds 2 SCBA or 1 SCBA and 1 spare tank
- Accommodates new wider harness ergonomic models
- ABS polymer case resists weathering and corrosion
- Clear polycarbonate windows
- Heavy duty custom formed stainless steel continuous hinge
- All stainless external hardware
- Industrial Neoprene® bulb seal between door & case provides excellent seal



DIMENSIONS



ORDERING INFORMATION

Part #	Description
01-3333-01	Dual SCBA wall case

Ship WT.: 35 lbs

EQUIPMENT STORAGE WALL CASES



ENCON'S EQUIPMENT STORAGE WALL CASE PROVIDES A SUPERIOR SEAL TO PROTECT VITAL EQUIPMENT IN CAUSTIC ATMOSPHERES

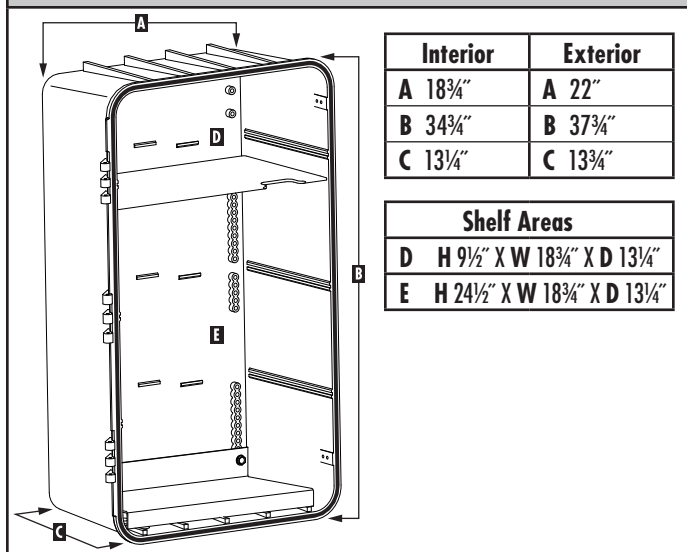
Protecting the contents from potentially damaging and corrosive atmospheres is the prime objective of any protective wall case. To ensure safe operating capability of your equipment use Encon's equipment storage wall case.

Features and Benefits Include:

- Tamper seal security feature—door cannot be opened without breaking the seal
- Molded plastic construction made of a chemical resistant ABS structural foam
- Three well spaced interlocking hinges provide excellent support for the door and reduce door deflection when in the open position
- Bulb rubber gasket provides virtual air tight seal
- Optional large viewing window (clear polycarbonate) positioned on lower portion of door to provide for a SCBA Air Gauge Viewer (AGV)
- Internal dual latch closure allows for two points of contact to help ensure door seal
- Quarter turn handle provides for quick and easy access to case contents
- ABS notched storage shelf for mask/hose attachment
- Heating capability for cold environments (available on specifically ordered models)
- SCBA storage case models offer choice of a fully adjustable steel bracket or ballistic nylon and Velcro® strap retaining systems
- High visibility black graphics on a choice of listed colors
- Multiple equipment storage options with variety of shelving options

Compatible with virtually every available SCBA equipment.

DIMENSIONS



CONTACT ENCON® CUSTOMER SERVICE FOR COLORED AND HEATED SCBA WALL CASE PART #'S DIAL 1.800.AT.ENCON

ORDERING INFORMATION

Part #	Wall Case Description	Part #	Wall Case Description
WC00Y00A	no shelf, yellow, no graphics	WC20G61B	top shelf, green, electrical PPE graphics, AGV window
WC00Y00B	no shelf, yellow, no graphics, AGV window	WC21Y10B	top shelf, strap, yellow, SCBA graphics, AGV window
WC00Y10B	no shelf, yellow, SCBA graphics, AGV window	WC22Y10B	top shelf, bracket, yellow, SCBA graphics, AGV window
WC07Y23B	no shelf, w/hose bracket, yellow, breathing hose graphic, AGV window	WC30G00A	center shelf, green, no graphics
WC11Y05B	molded top shelf, SCBA strap, yellow, SCBA no time graphics, AGV window	WC30G00B	center shelf, green, window, no graphics, AGV window
WC11Y10B	molded top shelf, SCBA strap, yellow, SCBA graphics, AGV window	WC30000A	center shelf, safety orange, no graphics
WC11Y10D	molded top shelf, SCBA strap, yellow, SCBA graphics, AGV window, internal heater	WC30Y00A	center shelf, yellow, no graphics
WC12G10B	molded top shelf, SCBA steel bracket, green, SCBA graphics, AGV window	WC30Y00B	center shelf, yellow, window, no graphics, AGV window
WC12G10C	molded top shelf, SCBA steel bracket, green, SCBA graphics, internal heater	WC60000B	top center/lower shelves, safety orange, no graphics, AGV window
WC12R45B	molded top shelf, SCBA steel bracket, red, SCBA graphics, AGV window	WC60Y00A	top center/lower shelves, yellow, no graphics
WC12Y10B	molded top shelf, SCBA steel bracket, yellow, SCBA graphics, AGV window	WC60Y40B	top center/lower shelves, yellow, escape respirator graphics, AGV window
WC12Y10D	molded top shelf, SCBA steel bracket, yellow, SCBA graphics, AGV window & internal heater	WC70000A	center/lower shelves, safety orange, no graphics

Ship WT.: 40 lbs.

UTILITY RESPIRATORY WALL CASES

ENCON'S UTILITY RESPIRATORY WALL CASE PROVIDES MUCH NEEDED FLEXIBILITY

The Encon utility wall case offers the versatility to accommodate half-mask and full-facepiece air purified respirators, powered air purifying respirators, airline air respirators as well as 5, 10 and 15 minute egress respirators. The utility wall case guards respirators against airborne gases, mists, vapors and particulates.

Features and Benefits Include:

- Chemical resistant ABS plastic thermoformed construction
- Corrosion resistant external components
- Rugged oversized low-friction hinges
- Bulb rubber gasket provides virtual air tight seal
- Stay clear acrylic window(s) allow viewing of contents with door closed
- Internal dual latch closure allows for two points of contact to help ensure door seal.
- Quarter turn handle provides for quick and easy access to case contents
- High visibility black graphics
- UV inhibitors to assure long lasting color
- Self-adhesive time/identification labels included

Suitable for storing various half-mask and/or full face-piece air purified, PAPR, airline escape respirator products.



ORDERING INFORMATION

Part #	Full Size
01-3360-01	With Escape Respirator Graphics
01-3360-02	With Solid Door & Escape Respirator Graphics
01-3360-04	With PAPR Graphics
01-3360-05	With Gas Mask Graphics
01-3360-06	With Airline Graphics
01-3360-07	With Air Purified Graphics
Part #	Mini
01-3380-01	With Escape Respirator Graphics
01-3380-02	Without Graphics
01-3380-04	With PAPR Graphics
01-3380-05	With Gas Mask Graphics
01-3380-06	With Airline Graphics
01-3380-07	With Air Purified Graphics



Gas Mask



PAPR



Escape Respirator

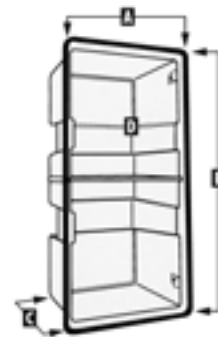


Airline



Air Purified

DIMENSIONS



Full Size

Interior	Exterior
A 11"	A 16"
B 27½"	B 31"
C 8½"	C 11"

Shelf Areas

D H 13" X W 11" X D 8½"



Mini

Interior	Exterior
A 11½"	A 16½"
B 14"	B 17"
C 10"	C 10½"

Ship WT.: 18 lbs. / 11 lbs.

ESCBA WALL CASES



DEPEND ON ENCON'S ESCBA WALL CASE TO PROTECT ESCAPE RESPIRATORS

To function properly when the need arises, escape respirators must be protected from moisture, ultraviolet light, corrosive atmospheres and airborne particulates. Encon ESCBA wall cases resist weathering, moisture and corrosion to ensure ESCBA equipment stays in ready-to-use condition.

Features and Benefits Include:

- Chemical resistant ABS plastic thermoformed construction
- Corrosion resistant external components
- Rugged oversized low friction hinges
- Bulb rubber gasket provides virtual air tight seal
- Stay clear acrylic window(s)
- Available in single or dual unit models
- Internal dual latch closure allows for two points of contact to help ensure door seal.
- Quarter turn handle provides for quick and easy access to case contents
- High visibility black graphics
- UV inhibitors to assure long lasting color

Compatible with virtually every available ESCBA equipment.

ORDERING INFORMATION

Part #	Description
01-3390-01	Two Unit Model
01-3391-01	One Unit Model

Ship WT.: 13 lbs. / 9 lbs.

DIMENSIONS



Two Unit Model

Interior	Exterior
A 12½"	A 17¾"
B 20½"	B 23½"
C 8¾"	C 9½"



One Unit Model

Interior	Exterior
A 8"	A 12"
B 20½"	B 23½"
C 8¾"	C 9½"



FIRE EXTINGUISHER WALL CASES

SHELTER FIRE EXTINGUISHERS FROM HOSTILE CONDITIONS WITH ENCON'S FIRE EXTINGUISHER WALL CASES

Provide protection for fire extinguishers to keep them in ready condition by choosing a wall case that resists the corrosive conditions found in most industrial settings. Encon wall cases withstand the harshest of conditions protecting your fire extinguisher so that it will be ready if an emergency arises.

Features and Benefits Include:

- Chemical resistant ABS plastic thermoformed construction
- Corrosion resistant external components
- Rugged oversized hinges
- Bulb rubber gasket provides virtual air tight seal
- Models with stay clear acrylic viewing window(s)
- Internal dual latch closure with one quarter turn handle
- High visibility white graphics
- UV stabilized brilliant red color
- Suitable for 6 to 30 lb. extinguishers-stored pressure or cartridge operated
- Reinforced case bottom

Compatible with virtually all Fire Extinguishers.



Fire blankets which are meant to provide temporary relief to accident victims can be kept dry and free of debris when stored in an Encon® wall case.



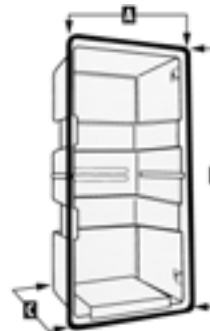
ORDERING INFORMATION

Part #	Description
01-3370-02	With Windows In Door
01-3370-03	With Solid Door
01-3380-03	Fire Blanket Wall Case

Ship WT.: 18 lbs. / 11 lbs.



DIMENSIONS



Full Size

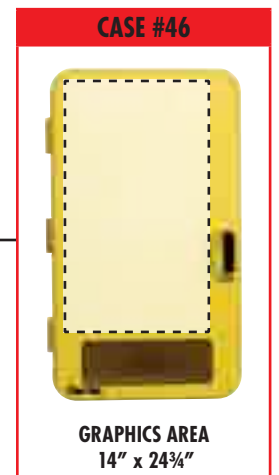
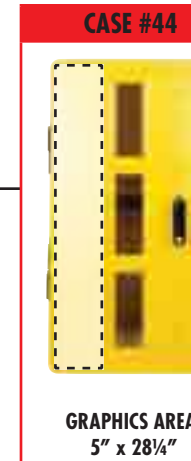
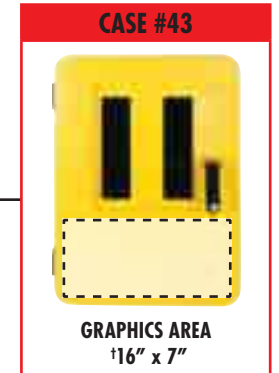
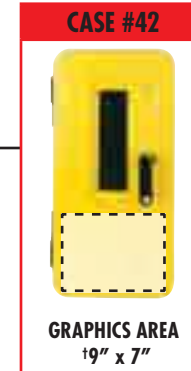
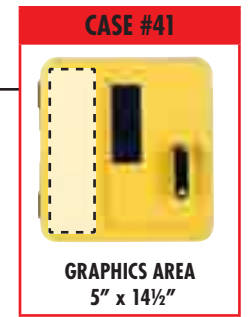
Interior	Exterior
A 11"	A 16"
B 27¼"	B 31"
C 8½"	C 11"



Mini

Interior	Exterior
A 11½"	A 16½"
B 14"	B 17"
C 10"	C 10½"

CUSTOMIZED WALL CASES



CASE	SHELF ¹	BRACKET	PAINTED DOOR COLOR ³		WINDOW	LOCK	SILKSCREEN ⁴	
41	0 - NONE	0 - NONE	1 - YELLOW 2 - GREEN 3 - RED	4 - ORANGE 5 - BLUE	0 - NO 1 - YES	0 - NO 1 - YES	00 - NO XX - YES	
42	0 - NONE 1 - HORIZONTAL—CENTER	0 - NONE 1 - SADDLE (1)	1 - YELLOW 2 - GREEN 3 - RED	4 - ORANGE 5 - BLUE	1 - YES	0 - NO 1 - YES	00 - NO XX - YES	
43	0 - NONE 2 - VERTICAL ONLY 3 - V & H 4 - HORIZONTAL ONLY	0 - NONE 2 - SADDLE (2)	1 - YELLOW 2 - GREEN 3 - RED	4 - ORANGE 5 - BLUE	1 - YES	0 - NO 1 - YES	00 - NO XX - YES	
44	0 - NONE 5 - HORIZONTAL—CENTER	0 - NONE 3 - 15 MIN LP 30 MIN HP	1 - YELLOW 2 - GREEN 3 - RED	4 - ORANGE 5 - BLUE	0 - NO 1 - YES	0 - NO 1 - YES	00 - NO XX - YES	
CASE	SHELVING OPTIONS ¹	EQUIPMENT RETAINER	SPECIFIED COLOR ³		DOOR GRAPHICS ⁴		OPTIONS & ADDITIONS	
46	0 - NONE 1 - MOLDED TOP SHELF 2 - TOP SHELF 3 - CENTER SHELF 4 - LOWER SHELF 5 - TOP & CENTER SHELVES 6 - TOP, CENTER & LOWER SHELVES 7 - CENTER & LOWER SHELVES 8 - TOP & LOWER SHELVES	0 - NONE 1 - BREATHING APPARATUS, STRAP ¹ 2 - BREATHING APPARATUS, BRACKET 7 - WALL CASE HOSE BRACKET ¹	Y - YELLOW G - GREEN R - RED B - BLUE O - SAFETY ORANGE		00 - NONE 05 - SCBA NO TIME 10 - Self Contained Breathing Apparatus 20 - Safety Equipment 40 - Escape Respirator 45 - Supplied Air Work Pak 60 - Protective Clothing 61 - Electrical PPE 65 - Personal Protective Equipment 80 - Fire XX - Custom		A - NONE ² B - WINDOW - AIR GAUGE VIEWER (AGV) C - INTERNAL HEATER D - WINDOW (AGV) & INTERNAL HEATER	

ORDERING INFORMATION

Pick a number corresponding to the desired option and insert the number in the appropriate box.
An example has been shown below:
The following order number **43-00110XX** was created by select the following options: cabinet style #43 with no shelves, no saddle/bracket, yellow door color, with windows, no lock with special silkscreen graphics.

CASE	SHELF	BRACKET	PAINTED DOOR COLOR		WINDOW	LOCK	SILKSCREEN	
43	0 - NONE 2 - VERTICAL ONLY 3 - V & H 4 - HORIZONTAL ONLY	0 - NONE 2 - SADDLE (2)	1 - YELLOW 2 - GREEN 3 - RED	4 - ORANGE 5 - BLUE	1 - YES	0 - NO 1 - YES	00 - NO XX - YES	
	0	0	1		1	0	X	X

FOOTNOTES

- If shelf is selected, bracket cannot be selected. Exception: Case #46; select shelf options 0, 1, or 2 if bracket is desired.
- LP - Low pressure, HP - High Pressure
- Standard door color is YELLOW; other door colors are painted. Case #46 is same color back and door. **ALL OTHER CASE BACKS ARE BLACK.**
- If silkscreen is chosen consult ENCON Customer Service for appropriate order number of last digit.

ONE TIME SILKSCREEN DIE CHARGE FOR CUSTOM SILKSCREENS. CAMERA READY ART WILL BE REQUIRED. MINIMUM ORDER QUANTITIES APPLY.

STANDARD COLOR CHART

DOOR		GRAPHICS	
Yellow		Black	
Green		White	
Red		White	
Orange		Black	
Blue		White	

CABINET DIMENSIONS

For external and internal dimensions see page number indicated

CABINET STYLE #41	PAGE 6
CABINET STYLE #42	PAGE 5
CABINET STYLE #43	PAGE 5
CABINET STYLE #44	PAGE 6
CABINET STYLE #46	PAGE 3

For assistance or additional information contact Encon Customer Service at 1-800-AT-ENCON.

CUSTOMIZED WALL CASES

DEVELOP SPECIAL STORAGE CASES FOR YOUR APPLICATION

The Encon® wall case ordering grid (pages 8-9) lets you select a specific wall case with the features needed to meet your special application. Silkscreen graphics allow for rapid identification of the contents specific to the equipment stored. Create a cost effective storage solution with customized wall cases from Encon®.

FEATURES INCLUDE:

- Chemical resistant ABS plastic case and door**
- Corrosion resistant external components
- Rugged oversized hinges (molded in on case #46) **(A)**
- Bulb rubber gasket **(B)**
- Acrylic viewing window **(C)**
 - Clear acrylic on vacuum formed models (except Dual SCBA)
 - Clear polycarbonate on ABS structural foam molded models
- Internal latch closure **(B & D)**

OPTIONS AVAILABLE:

- Five case sizes to choose from
- Shelving configurations and bracket options
- With or without window option (#41, 43 & 46 models only)
- Locking capability as option
- Door color options as shown below
- Custom silkscreens available

* Vacuum formed: Cases 41, 42, 43 & 44

** ABS structural foam molded: Case 46





Encon[®]
SAFETY PRODUCTS

Additional Product Offerings



Encon Safety Products
6825 W. Sam Houston Pkwy., N.
Houston, TX 77041
1.800.283.6266
FAX 713.466.1703
www.enconsafety.com
customerservice@enconsafety.com
PWC0107