

Encon[®]
SAFETY PRODUCTS
1-800-283-6266
Phone: (713) 466-1449 Fax: (713) 466-1703
E-Mail: customerservice@enconsafety.com



SAF-T-FLO[®]

BLENDING SYSTEM

PART NUMBER: STF30WB120G

SPECIFICATION:

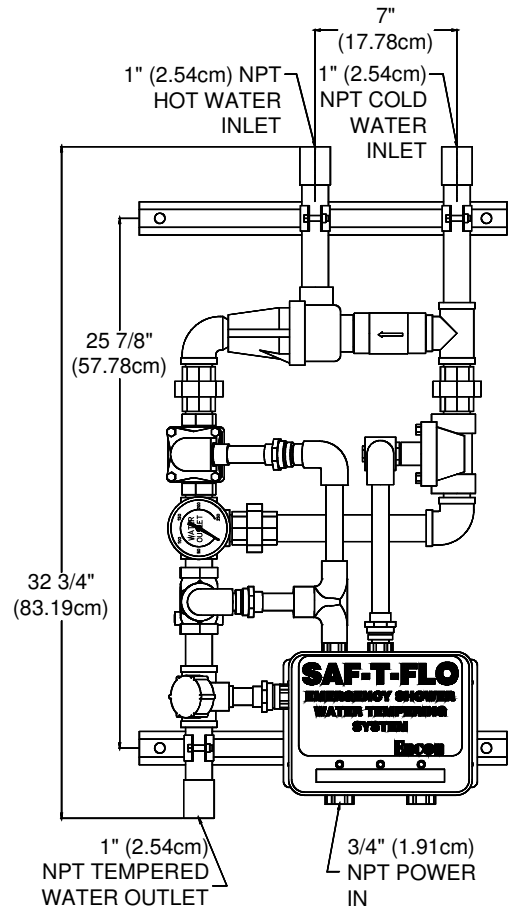
The Saf-T-Flo[®] blending system shall provide 3 to 30 GPM (11.4 to 113.6 lpm) tepid water to emergency equipment to meet the ANSI Z358.1 standard flow requirements for shower, eyewash and drench hose applications when provided with adequate supplies of hot and cold water. Designed to deliver 85° F (29.5° C) tepid water the Saf-T-Flo[®] unit has an acceptable range of 78° to 92° F (25.5 to 33.3° C) through a thermal mechanical mixing valve that is protected against delivery of overheated water using an (in the water supply) electrically operated fail open thermostat and electrically controlled mechanical solenoid valves. The Saf-T-Flo[®] is designed so that any component failure will result in supply (cold) water only provided through the bypass that is external to the thermal mechanical mixing valve. The normally open cold water solenoid closes and normally closed tepid water solenoid opens when the 2 GPM (7.5 lpm) flow switch senses flow, unless the thermostat set point of 93°F (33.9 °C) is exceeded. The system provides a 99.99% safety factor when properly installed. The control panel provides local annunciation of electrical power availability, fluid flow through the system and the blending status. The internal relay and base provide for external alarm connection with a 3 amp 120 VAC ‘dry’ contact rating. The Saf-T-Flo[®] is assembled on support channels and shipped ready for water and electrical utility connection after being mounted. The tepid water blending system shall be Encon Safety Products model STF30WB120G. For 240 Volt model shall be STF30WB240G.

VOLUME: Capable of supplying up to 30 gpm (113.6 lpm) tepid water output when supplied with sufficient volumes of hot and cold water (20 gpm [75.7 lpm] minimum for each). Temperature gauge and light indicators are included for process monitoring.

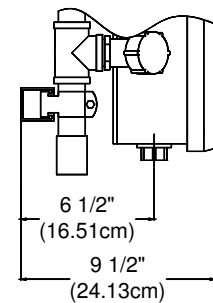
PRESSURE: Inlet requires minimum 40 psi/maximum 80 psi. (275.8/551.6 kPa) Maximum differential pressure: 10 psi (68.9 kPa) (hot/cold). Pressure requirements vary dependent upon the volume requirements of deluge equipment and the pipe equivalent distances between the tepid water system and the equipment.

MATERIALS OF CONSTRUCTION:

- PIPING:** Schedule 40 galvanized steel and rigid galvanized conduit.
- VALVES:** 1” normally closed direct lift brass with NBR seals (tepid water), 1” normally open pilot operated brass with NBR seals (cold water bypass), Class 1 DIV. 2, Groups A, B, C & D. 1” inline brass check valve.
- BLENDING VALVE:** 1” bronze thermostatic.
- JUNCTION BOX:** 8” (20.3cm) X 6” (15.2cm) X 4 5/8” (11.7cm) fiberglass reinforced polyester with stainless steel hinge and screw cover.
- INLET/OUTLET:** 1” NPT
- WEIGHT:** 85 lbs (38.56 kgs)



FRONT VIEW



SIDE VIEW

	MODEL #	DESCRIPTION
	STF30WB120G	Unit Shown
	STF30WB240G	Unit Shown 240 Volt