

## PRODUCT DESCRIPTION

Pedestal style Emergency Eye and Facewash assemblies designed for floor installation in areas where people may come into contact with hazardous materials.



U.S. Patent US 6,205,599

## GENERAL INFORMATION

Following are requirements of ANSI Z358.1 for Emergency Eyewash and Shower Equipment. A complete copy of this standard may be purchased from the International Safety Equipment Association.

1. Unit shall be installed in accordance with the manufacturer's instructions and acceptable plumbing practices.
2. The eye/facewash shall be positioned with the water nozzles between 83.8 cm (33 inches) and 114.3 cm (45 inches) from the floor and 15.3 cm (6 inches) minimum from the wall or nearest obstruction.
3. The unit shall be connected to a system capable of supplying adequate flushing fluid to meet the flow requirements of each component operating simultaneously. The supply line shall provide an uninterrupted supply of potable water at recommended minimum 0.207 megapascal (30 pounds per square inch) of flow pressure.
4. Where the possibility of freezing conditions exists, equipment shall be protected from freezing or freeze-protected equipment shall be installed.
5. When the unit is installed, it shall be tested in accordance with the following procedures:
  - a. With the unit correctly connected to the water source and the valve(s) closed, visually check the piping connection for leaks.
  - b. Open the valve to the full open position. The valve shall remain open without requiring further use of the operator's hands.
  - c. With the valve in the "full on" position, measure the flushing fluid flow pattern with the use of a test gauge to determine a suitable eyewash pattern as required by ANSI standards. Determine that both eyes can be irrigated simultaneously at a velocity low enough not to be injurious to the user.
6. Eyewash units shall be in accessible locations that require no more than 10 seconds travel time from the farthest hazard.  
NOTE: Test that all devices on combination units are capable of operating simultaneously to ANSI standard.
7. Each unit location shall be identified with a highly visible sign. The area around the unit shall be well lit.
8. Plumbed units shall be inspected annually for proper operation to ensure compliance to ANSI Z358.1 standard.

## OPERATION & MAINTENANCE

1. Plumbed units shall be activated weekly to flush lines and verify proper flow pattern and volume.
2. Test records should be maintained verifying compliance with testing procedures.
3. Some chemical vapors or liquids may damage or soften plastic materials. Precaution should be taken to determine compatibility prior to installation.

## TRAINING

All employees who might be exposed to hazardous material shall be instructed in the location and proper use of emergency shower and eye/facewash units. Experiences have shown that initial first-aid treatment for irritants should be to wash the eyes and face for 15 minutes prior to medical treatment. It is important to hold the eyelids open and roll the eyes so water will flow on all surfaces and in the folds surrounding the eyes.

# ASSEMBLY AND INSTALLATION INSTRUCTIONS

## CAUTION: CHECK FOR ADEQUATE FLOOR STRENGTH

- NOTES:**
1. Use appropriate pipe sealant on all joints except on ABS component eyewash or facewash assemblies.
  2. Bolts (supplied by others) should be long enough to allow at least a 1/2" bolt clearance for nut attachment.
  3. Tee at floor flange should be positioned to where waste connection is facing away from standing area of user.

### Attachment to Floor – Mounting hardware is not included.

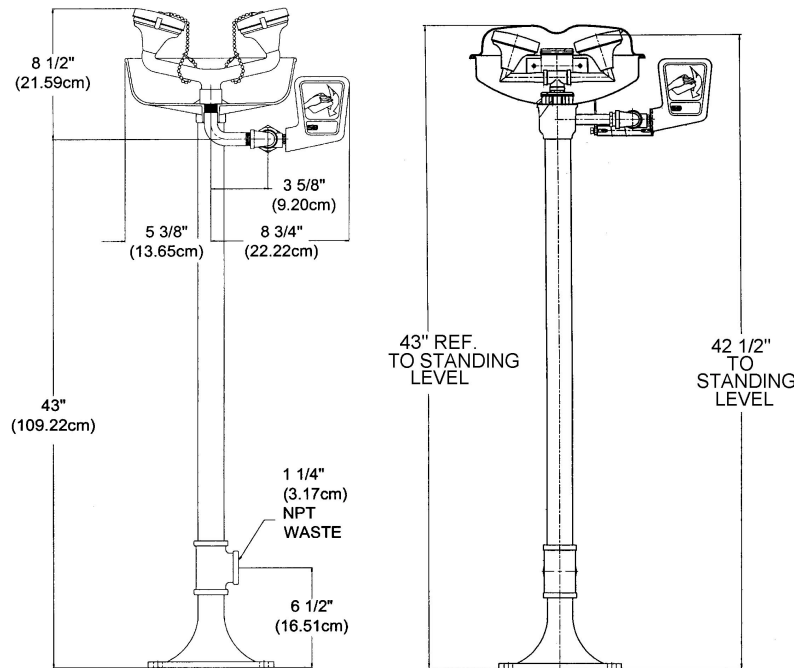
FIGURE 1

**Concrete:** Secure floor flange using four (4) 1/2" dia. expansion anchors or equal. NOTE: If a concrete base is required ensure raised area is no more than 2" from standing level.

**Wood:** Secure floor flange using four (4) 1/2" x 3" lag screws.

**Metal:** Secure floor flange using four (4) 1/2"-13 UNC machine bolts for **thick metal surface** (drill and tap thick metal surface) or four (4) 1/2"-13 bolts and nuts for **thin metal surface**. Bolts should be long enough to allow at least a 1/2" bolt clearance for nut attachment.

1. After mounting floor flange, thread tee onto floor flange using pipe wrench and appropriate pipe sealant. Waste connection should be facing away from standing area of user.
2. Thread 28-1/2" nipple into top of tee and tighten. Hand tighten until snug.
3. Attach eye/facewash fountain assembly to nipple at drain outlet on bottom of bowl. Hand tightened until snug while ensuring ball valve is pointed in the direction of the supply pipe.
4. Place push plate over stem of ball valve and secure tightly with lock nut provided.
5. Secure 1/2" potable water supply pipe to ball valve using appropriate pipe sealant to prevent leakage.
6. Thread eye/facewash head assembly onto nipple in bowl. Hand tightened until snug. Once snug, rotate back until eyewash heads are aligned with push plate (when in off position). **CAUTION: Do not over tighten. Do not use pipe sealant or tape.**
7. Test unit for leaks and for proper water flow pattern by activating valve to open position using push plate.  
(Recommended maximum dynamic water pressure 80 psi / minimum dynamic water pressure 30 psi)



U.S. Patent US 6,205,599

## WARRANTY STATEMENT

ENCON HEREBY DISCLAIMS ALL WARRANTIES EXPRESSED OR IMPLIED INCLUDING BUT NOT LIMITED TO WARRANTIES OF MERCHANTABILITY, FITNESS FOR A PARTICULAR PURPOSE, AND NON-INFRINGEMENT OF THIRD-PARTY RIGHTS, EXCEPT AS HEREINAFTER PROVIDED.

Encon Safety Products warrants that for one year from the date of purchase of any Encon products, the product will be free of defects in materials and workmanship if properly used and cared for or cleaned under normal conditions in accordance with Encon's use and care instructions and properly installed, if applicable, in accordance with Encon's installation instructions. With respect to the product, Encon's only obligation and purchaser's exclusive remedy under this warranty is to repair or replace such product: provided that:

1. Encon is notified of the defect within one year of shipment, and
2. the product is determined by Encon to be defective.

Encon requires proof of original ownership as proof of warranty coverage, and Encon must receive any claim under this Limited Warranty within one year of purchase of the product.

NOTWITHSTANDING ANYTHING TO THE CONTRARY CONTAINED HEREIN, ENCON SHALL NOT BE LIABLE FOR LOSS, DAMAGE, OR EXPENSE ARISING DIRECTLY OR INDIRECTLY AS A CONSEQUENCE OF USE OF THE EQUIPMENT WITH OTHER PRODUCTS OR FROM ANY OTHER CAUSE, INCLUDING ANY CONSEQUENTIAL, INCIDENTAL, SPECIAL OR EXEMPLARY DAMAGES, EXCEPT FOR ENCON'S OBLIGATION TO REPAIR OR REPLACE DEFECTIVE PRODUCTS AS EXPRESSLY PROVIDED IN THIS STATEMENT.

Replacement parts purchased from Encon are warranted for one year following the shipment of such replacement part, or until the expiration of the warranty period for the product, whichever is less. No warranty is given in connection with products that are altered without Encon's expressed written consent. The same warranty limitations and the obligations of Encon as set out herein above shall apply to replacement parts.

Encon's total liability arising out of this warranty (including, but not limited to, warranty claims) regardless of forum and regardless of whether such action or claim is based on tort, contract or otherwise will not exceed the total purchase price of the product.



6825 W. Sam Houston Pkwy. N (77041)  
P.O. Box 3826 • Houston, Texas (77253)  
(713) 466-1449 • Fax (713) 466-1819  
1-800-AT-ENCON / 1-800-283-6266  
E-Mail: [customerservice@enconsafety.com](mailto:customerservice@enconsafety.com)  
Website: [www.enconsafety.com](http://www.enconsafety.com)