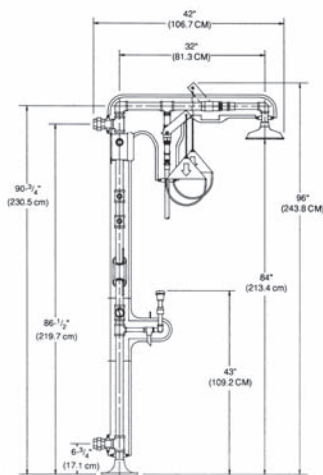


FREEZE-PROTECTED SHOWERS

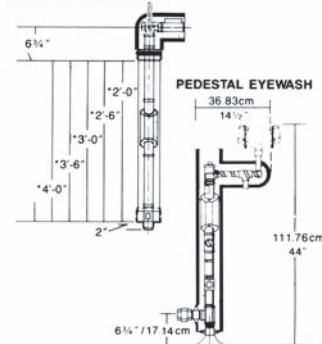


Shower Dimensional:



MAP® is a Registered Trademark of Encon Safety Products.

UNDERGROUND EXTENSION
W/HAND ISOLATION VALVE



When specifying overhead or pedestal style units, include written description of options desired..

Therma-Flow® Freeze-Protected Emergency Shower/Eyewash

Standard Specifications

- Self-limiting heat trace cable; 5 watts per foot.
- Closed-cell foam insulation to maximize heat retention.
- 120 or 240 VAC compatible models.
- High-visibility yellow, green or orange UV-inhibited, ABS plastic covers resist chemical and environmental deterioration.
- Completely removable covers with elastomer seals for field maintenance.
- Neoprene coated aluminum trim strips secure covers.
- High-limit thermostat protects against over temperature water.
- Remote and local alarm capability with horn, bell, Pultstone™ and flashing light selection.
- 20 and 30 gpm shower flow regulation for maximum utilization of water and piping schemes.
- CSA approved with UL and FM components for non-hazardous or hazardous areas. NEMA 4 and Class 1, Div. 2, Gr. B, C, & D, Class 2, Div. 2, Gr. F & G electrically classified areas. Class 1, Div. 1, Gr. D available on some models upon request.
- Optional heat traced, insulated extension protects underground water supply piping.
- Flow switch or proximity (MAP®) switch alarm actuator options available.

THERMA-FLOW® SELECTION GUIDE

CUSTOM DESIGN YOUR OWN SYSTEM

Create your model to meet the specific needs of your facility.

ELECTRICAL SPECIFICATIONS:

	120V	240V
Horn, 97 db @ 10'	.02 amps	.01 amps
Alarm Light	.83 amps	.42 amps
Alarm Bell, 100 db @ 10'	.42 amps	.21 amps
Pulsetone™ 104 db @ 2'	50 mA	50 mA
Area Light	.83 amps	.42 amps
Thermostat	3 amps	1.5 amps
Remote Relay	3 amps	5 amps
MAP® Switch	20 watts	20 watts
HTI* Light	.06 amps	.03 amps
Flow Switch	20 watts	20 watts
Heat Tracing**	2.1 amps	1.05 amps

*Heat Trace Indicator
**Approx. cold start-up

MECHANICAL SPECIFICATIONS:

Field Removable Covers, UV inhibited/ABS Plastic
Freeze Protection Valve 35-38°F/1.7-3.3°C
Scald Protection Valve 95-105°F/35-40.6°C
Neoprene Closed Cell Insulation
Neoprene Coated Aluminum Trim Strips
3-4 Bolt Universal Floor Flange
Individually Serial Numbered
Hot Dip Galvanized Schedule 80 Pipe to ASTM-A53
54" EPDM Drench Hose Option
Thermostat set point 60°F (+5/-10°)

MAP® is a registered Trademark of Encon Safety Products.

Here's how it works: **T**
F

Step 1 - Position 3

Find your voltage/ electrical classification

Step 2 - Position 4

Define your water inlet connection

Step 3 - Position 5

Choose the water delivery appliances that meet your requirements

Step 4 - Position 6

Choose area lights & indicator desired

Step 5 - Position 7

Consider & select from the safety valves & thermometer options

Step 6 - Position 8

Select an alarm system

Step 7 - Position 9

Choose your lights/ colors

Step 8 - Position 10

Consider & select additional alarm activation options, if desired

Step 9 - Position 11

Select underground extension or cable requirement option

Step 10 - Position 12

Choose a cover color

POSITION 3 - VOLTAGE

- 1 - NEMA 4 120 volt
- 2 - NEMA 4 240 volt
- 3 - Class 1, Div. 2, Gr. B, C, D 120 volt, Class 2, Div. 2, Gr. F & G
- 4 - Class 1, Div. 2, Gr. B, C, D 240 volt, Class 2, Div. 2, Gr. F & G

* Class 1, Div. 1 Gr. D options available on some models. Price on application.

POSITION 5 - DELIVERY SYSTEM

- A - 30 gpm Shr. - EW
 - B - 20 gpm Shr. - EW
 - D - 30 gpm Shr. - EW/DH
 - E - 20 gpm Shr. - EW/DH
 - H - 30 gpm Shr. - DH
 - J - 20 gpm Shr. - DH
- EW = eyewash
DH = drench hose

POSITION 7 - SAFETY VALVES & THERMOMETER

- 0 - None
- 1 - Freeze Protection
- 2 - Scald Protection
- 3 - Freeze & Scald Protection
- 4 - Thermometer
- 5 - Thermometer/Freeze Protection
- 6 - Thermometer/Scald Protection
- 7 - Thermometer/Freeze & Scald Protection

POSITION 9 - LIGHT COLORS

- 0 - None
- 1 - One Light Only - Clear
- 2 - One Light Only - Red
- 3 - One Light Only - Green
- 4 - One Light Only - Blue
- 5 - Area Light Clear - Alarm Light Red
- 6 - Area Light Green - Alarm Light Red
- 7 - Area Light Blue - Alarm Light Red

POSITION 11 - UNDERGROUND EXTENSION & EXTRA CABLE

- 0 - None
- 1 - Underground Extension 2'
- 2 - Underground Extension 2½'
- 3 - Underground Extension 3'
- 4 - Underground Extension 3½'
- 5 - Underground Extension 4'
- A - Extra Cable 10'
- B - Extra Cable 20'
- C - Extra Cable 30'
- D - Extra Cable 40'
- E - Extra Cable 50'

POSITION 4 - WATER INLET

- 0 - 1¼" Top
- 2 - 1¼" Bottom
- 4 - 1½" Top
- 5 - 1½" Bottom
- 6 - 1½" Top & Bottom

POSITION 6 - AREA LIGHTS & CONTROLS

- 0 - None
- 1 - Side Area Light
- 2 - Heat Trace Indicator
- 3 - Top Area Light
- 4 - Side Area Light/ Heat Trace Indicator
- 5 - Top Area Light/ Heat Trace Indicator

POSITION 8 - ALARM SYSTEM

- 0 - Not required
- 1 - Light
- 2 - Bell
- 3 - Pulsetone™ See note 1
- 4 - Horn
- 5 - Light/Bell
- 6 - Light/Pulsetone™ See note 1
- 7 - Light/Horn

Note 1: Includes reset button on audible alarm.

POSITION 10 - ALARM SYSTEMS

- 0 - None
- 1 - Flow Switch Top Connection
- 2 - Flow Switch Bottom Connection
- 3 - MAP® Switch Shr. & EW
- 4 - MAP® Switch Shr. & DH
- 5 - MAP® Switch Shr., EW & DH

POSITION 12 - COVER COLOR

- 0 - Yellow
- 1 - Orange
- 2 - Green

THERMA-FLOW® PLUS SELECTION GUIDE

POSITION 3 – DELIVERY SYSTEM
1 – Galv 20 gpm Shr/EW/DH
2 – Galv 20 gpm Shr/EW/DH – Freeze and Scald Protection
3 – Galv 20 gpm Shr/EW with Treadle/DH
4 – Galv 20 gpm Shr/EW with Treadle/DH – Freeze and Scald Protection
5 – SS 20 gpm Shr/EW/DH
6 – SS 20 gpm Shr/EW/DH – Freeze and Scald Protection
7 – TF 20 gpm Shr/EW/DH
8 – TF 20 gpm Shr/EW/DH – Freeze and Scald Protection
EW = eyewash SS = stainless steel DH = drench hose TF = Therma-Flow®

T
P

Here's how it works:

Step 1 - Position 3
Create a delivery system

CUSTOM DESIGN YOUR OWN SYSTEM

Create your model to meet the specific needs of your facility.

POSITION 5 – ELECTRICAL
1 – 120V / NEMA 4 *
2 – 120V / NEMA 4X *
3 – 120V / Class 1, Div. 2, Gr. B, C, D, Class 2, Div. 2, Gr. F & G *
4 – 120V / Class 1, Div. 2, Gr. B, C, D / NEMA 4X *
5 – 120V / Class 1, Div. 1, Gr. D
6 – 240V / NEMA 4 *
7 – 240V / Class 1, Div. 2, Gr. B, C, D *
8 – 240V / Class 1, Div. 1, Gr. D

POSITION 4 – ENCLOSURE HEATER
0 – None
1 – Yes

Step 2 - Position 4
Define your enclosure heater requirement

Step 3 - Position 5
Define your voltage/ electrical classification



20 GPM Regulated Shower Head
Freeze-Protected Shower option shown

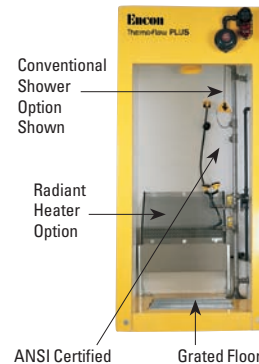
POSITION 6 – AREA/ALARM LIGHT
0 – None
1 – Flow Switch – Light
2 – Flow Switch – Light & Bell
3 – Flow Switch – Light & Horn
4 – Flow Switch – Light & Pulsetone™ See note 1
5 – MAP® Switch – Light
6 – MAP® Switch – Light & bell
7 – MAP® Switch – Light & horn
8 – MAP® Switch – Light & Pulsetone™ See note 1

Step 4 - Position 6
Choose area lights & indicator desired

* CSA Approved Models

POSITION 7 – LIGHT COLOR
0 – None
1 – Clear
2 – Blue
3 – Green

Step 5 - Position 7
Choose a light color



Conventional Shower Option Shown
Radiant Heater Option
ANSI Certified
Grated Floor

POSITION 9 – BUILDING DRAIN & GRAPHICS
1 – Drain Right – English
2 – Drain Right – English & French
3 – Drain Left – English
4 – Drain Left – English & French
5 – Drain Center – English
6 – Drain Center – English & French
7 – Drain Right – English & Spanish
8 – Drain Left – English & Spanish
9 – Drain Center – English & Spanish

POSITION 8 – WATER INLET
1 – 1¼" Top
2 – 1¼" Bottom
3 – 1½" Top & Bottom
4 – 1½" Top
5 – 1½" Bottom
6 – 1½" Top & Bottom

Step 6 - Position 8
Define your water inlet size & location

Step 7 - Position 9
Define your building drain & graphics needs



Light Options
Audible Options
Weather Seals
Double Swinging Doors
Adjustable Hinges
Anchor Pads
Flow Switch
Heat Trace Indicator Light
Graphics
Enclosure
Drain option

Note 1: The Pulsetone™ is suitable for electrical classification up to Class 1, Division 2 Group B only, not for use in Class 1, Division 1 applications. Includes reset button on audible alarm.

POSITION 10 – UNDERGROUND EXTENSION / EXTRA CABLE
0 – None
1 – 2½' Extension
2 – 3' Extension
3 – 3½' Extension
4 – 4' Extension
5 – 25' Heating Cable
6 – 50' Heating Cable

Step 8 - Position 10
Select your underground extension or cable requirements

FREEZE-PROTECTED ENCLOSURES

Therma-Flow® Plus Enclosed Freeze-Protected Showers

Standard Specifications

Models offer protection to below -40°F

- Remote and local alarm capability with horn, bell, Pulsetone™ and/or flashing light available.
- Flow switch or MAP® switch alarm actuator options available.
- Fail safe alarms.
- NEMA 4; NEMA 4X; Class 1, Div. 2 Gr. B, C, D; Class 2, Div. 2, Gr. F & G electrical classifications; Class 1, Div. 1 Gr. D option available on some models.
- Adjustable double swinging doors.
- Door weather seals.
- Fire-retardant fiberglass reinforced plastic and urethane foam walls.
- Yellow chemical-resistant UV inhibited Gelcote® outer finish.
- Lexan® polycarbonate windows.
- Corrosion-resistant hardware.
- 4 single bolt hold down brackets.
- Galvanized or freeze-protected and insulated shower option.
- 20 gpm shower, 3.5 gpm eyewash for maximum utilization of water and piping schemes.
- Installation and maintenance manual included.
- Shipped on fork lift pallet.
- 120 or 240 VAC compatible models

Mechanical: Freeze protection valve 35-38°F/1.7-3.3°C; scald protection valve 95-105°F/35-40.6°C; stainless steel actuators; double swinging adjustable hinges; door weather seals; 1¾" insulation, R-factor 10; thermostat fail open; Therma-Flow® shower 60°F/ 15.6°C, Therma-Flow® Plus heater 80°F/26.7°C fixed thermostat settings.

Installation: Exterior dimensions 48" × 52" × 102"; interior dimensions 44" × 48" × 94"; door requires 18" clearance; left, right or center bottom drain; 4 bolt - hold down; shipping weight 800 - 1200 lbs.; 30 gpm water supply recommended.

Lexan® polycarbonate is a registered trademark of General Electric.
Gelcote® is a registered trademark of Fibre de Verre Gar Fiberglass.



Specifications

Electrical	120V	240V
A.I.T.*	C1D2-T3A	
Heater	15 amps	7.5 amps
Tracing	1.5 amps	.75 amps
Alarm light	.83 amps	.42 amps
HTI light	.06 amps	.03 amps
Internal light	.83 amps	.42 amps
Horn, 97 db @ 10'	.02 amps	.01 amps
Bell, 100 db @ 10'	.42 amps	.21 amps
Pulsetone™ 104 db @ 2'	50 mA	50 mA
Flow switch	.17 amps	.08 amps
MAP® Switch	1 amp	1 amp
Remote relay (NO/NC)	3 amps	3 amps

*Auto Ignition Temperature



6825 West Sam Houston Pkwy, N., Houston, Texas 77041
P.O. Box 3826, Houston, Texas 77253



PH 1.800.283.6266 FAX 713.466.1703
WEB www.enconsafety.com EMAIL customerservice@enconsafety.com