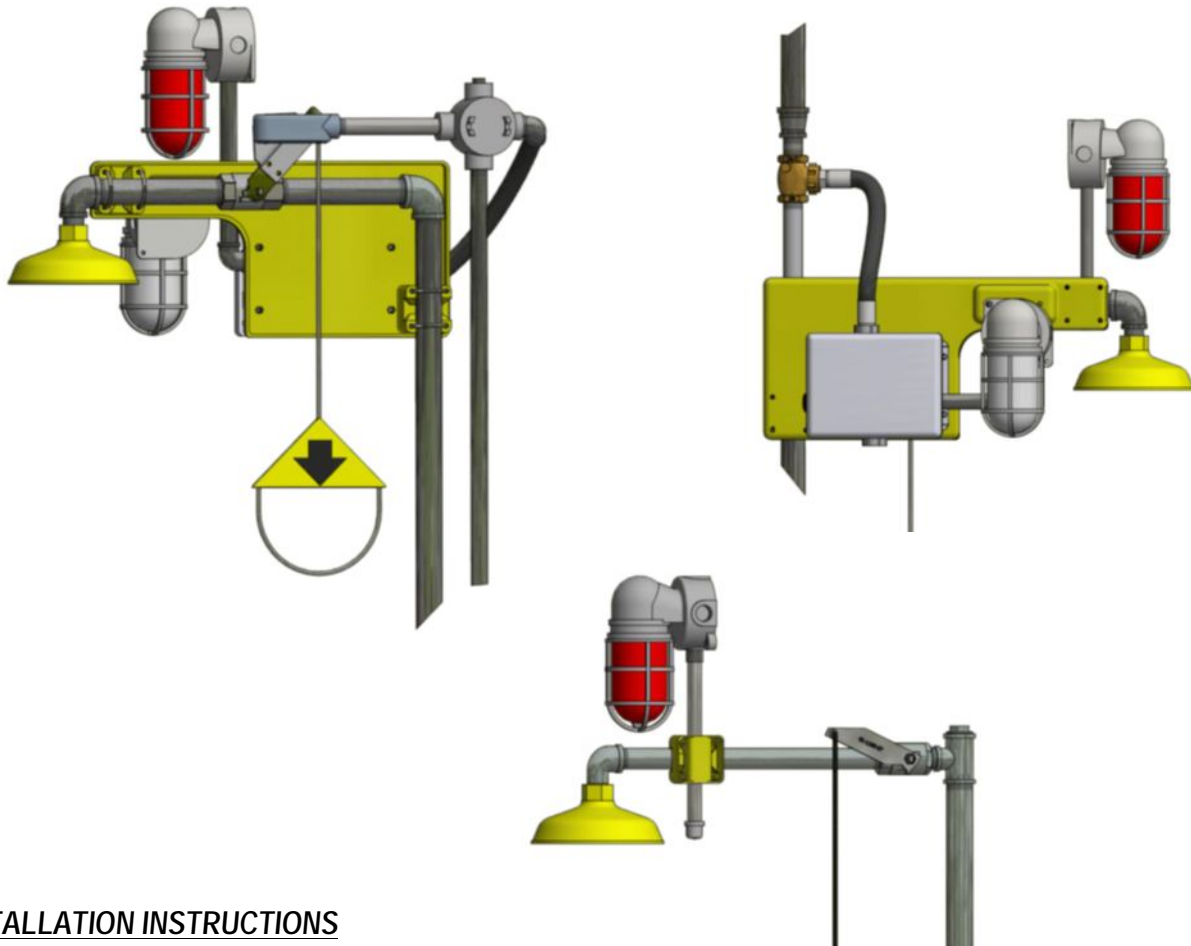


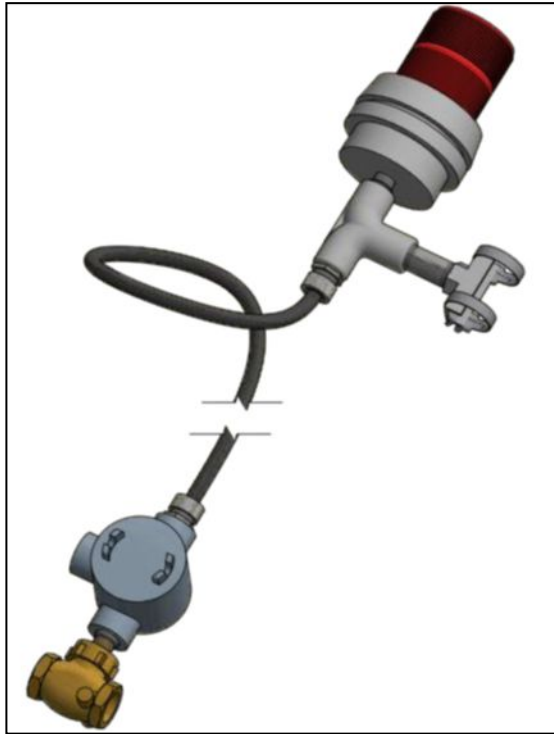
**AREA LIGHT AND/OR  
ALARM KIT ASSEMBLIES****PRODUCT DESCRIPTION**

A variety of alarm systems including area locator lights, audio visual and remote alarms, to alert personnel when emergency showers or eyewash stations are in use.

**INSTALLATION INSTRUCTIONS**

1. Remove 1¼" plug from overhead pipe tee and insert into fountain section water inlet. (where applicable)
2. Refer to applicable junction box part number and schematic for your installation.
3. Install flow switch into overhead pipe section. Be sure to observe flow direction on housing. Be careful to keep sealing compound out of unit. (when applicable)
4. If your alarm kit assembly contains a yellow plastic junction box panel, secure to overhead and vertical piping with U-bolts provided. If not, secure conduit run to vertical piping with U-bolts provided.
5. At this time ensure that map-switch is aligned within a 1" horizontal of the bracket actuator. **Must be aligned correctly for proper alarm function.**
6. Make electrical connections per junction box drawing and schematic.
7. Perform operational test to ensure correct function of alarm kit.

## ALARM SYSTEM SPECIFICATIONS



MODEL 01052155

Description: Alarm light and bell activated when shower/eyewash station is in use.

Activation Device: Flow switch includes relay rated @ 3 amps. 120 VAC, 60 Hz. Horizontal or vertical position acceptable. 1 1/4" NPT connection.

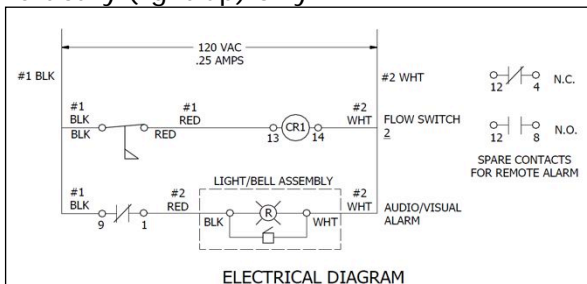
Light: Flashing red alarm light – 25 Watt lamp.

Audible Alarm: Audio signal rated 85 db @ 10ft.

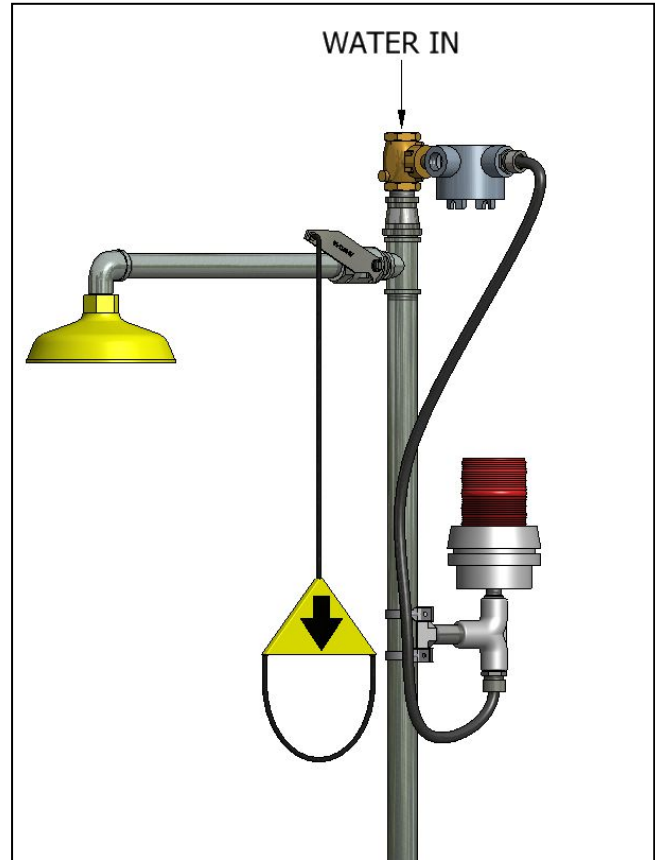
Remote Alarm Contacts: Spare contacts (N.O. /N.C.) included.

Mounting Methods: Wall mount flange and pipe mount brackets included. Includes 7' cord between flow switch and light/bell.

Electrical Classification: Nema 3 rated – indoor and outdoor use. CSA listed components Mount vertically (light up) only.



Encon Safety Products, Inc.  
Doc. No: 01999945 Rev. E  
Issue Date: 12/09/14

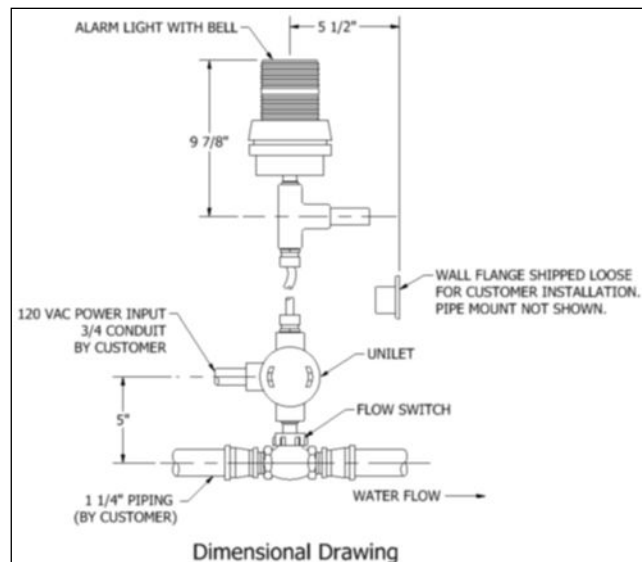


ALARM MOUNTED ON SHOWER  
(TOP INLET SHOWN)

## ORDERING INFORMATION

MODEL 01052155 – Wall or Shower Mount  
Audio/Visual Alarm System

MODEL 02100000 – Remote alarm capability only



# FLOW SWITCH INSTALLATION AND MAINTENANCE

## Electrical Connection -

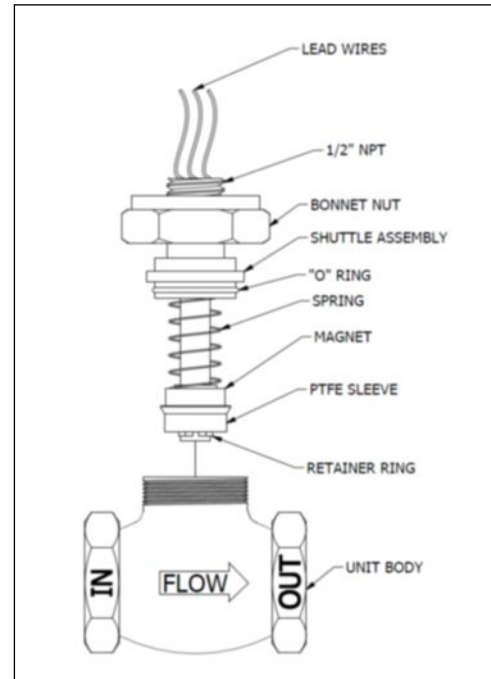
Lead wires and 1/2" NPT or junction box with 1/2" NPT.

## Maintenance -

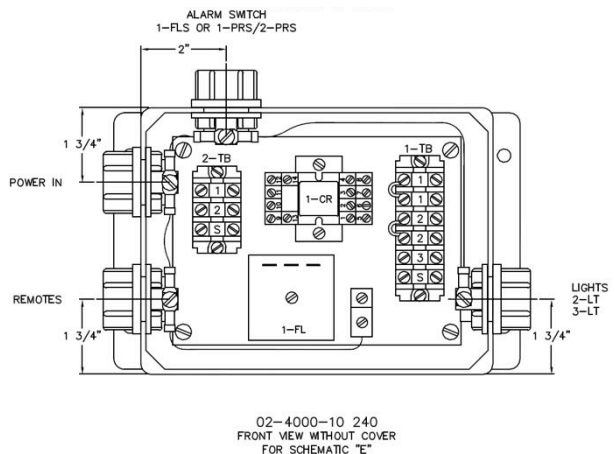
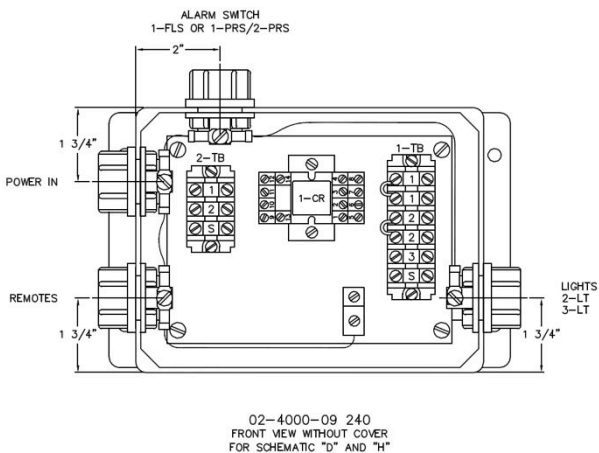
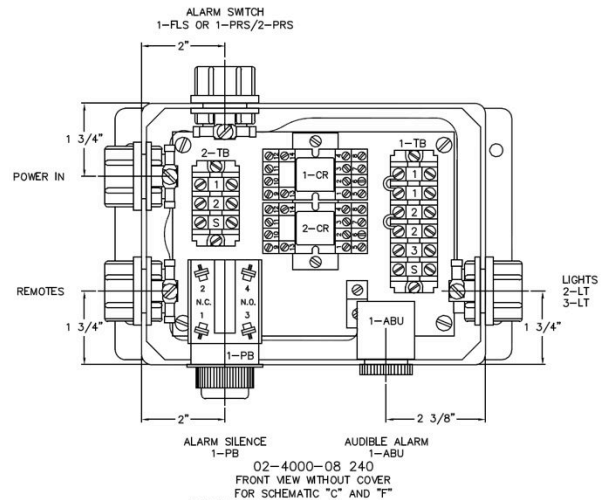
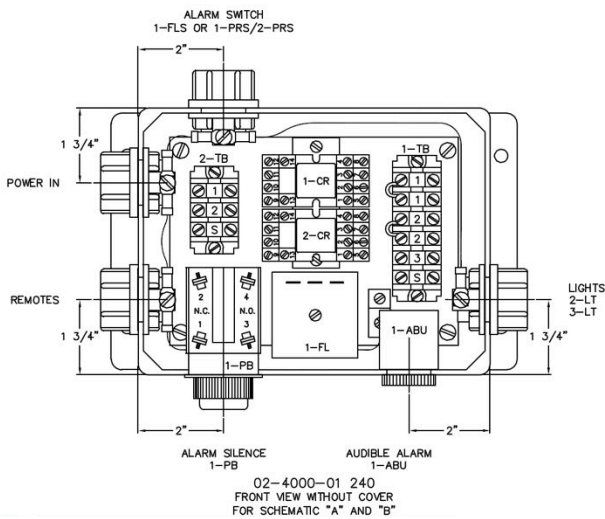
Occasional cleaning when excessive contamination is present in the liquid is the only maintenance normally required. With system shut-down and no liquid in piping, remove bonnet nut to disassemble unit for cleaning. It is not necessary to remove unit body from the system. Remove retainer ringer for complete shuttle disassembly.

### WARNING!!!

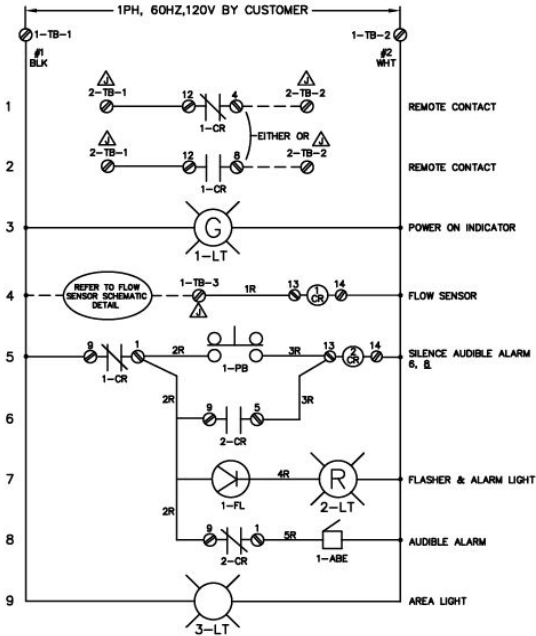
Product must be maintained and installed per these technical instructions and drawings. Failure to observe proper electrical practices when installing or maintaining this equipment may result in serious injury or failure of product. Potable water is required as the water source for any emergency shower or eyewash. Potable water (completely free of contaminants) is required for proper flow switch operation. Failure to use potable water as the water source may inhibit operation of the emergency shower or eyewash and alarm systems.



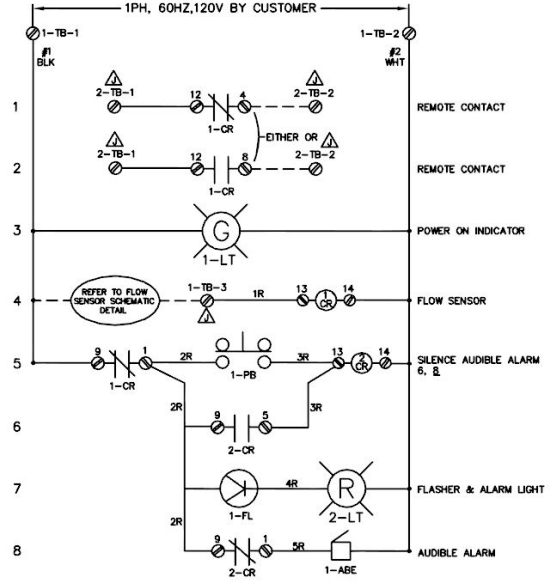
## JUNCTION BOX LAYOUTS



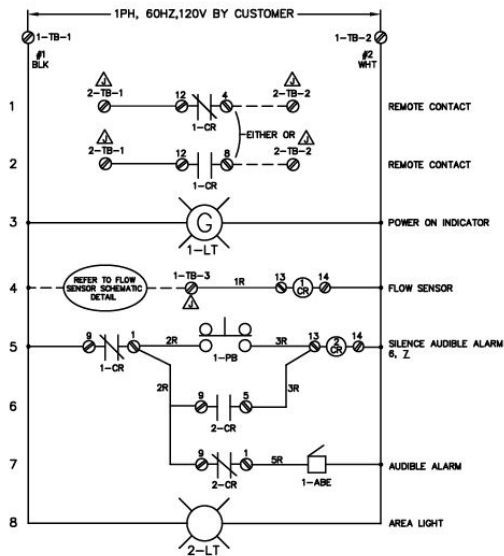
# ELECTRICAL SCHEMATICS



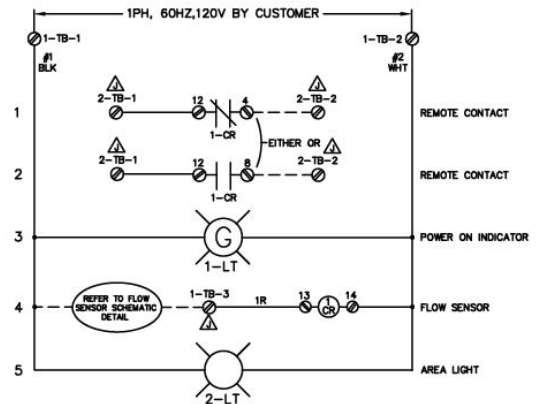
SCHEMATIC "A" (-01)  
35-9999-19



SCHEMATIC "B" (-02)  
35-9999-20

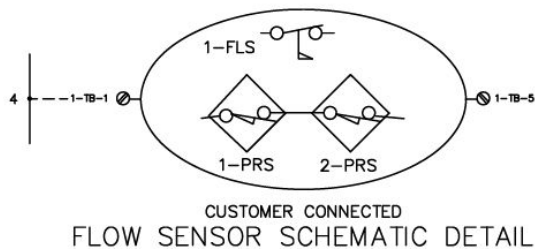
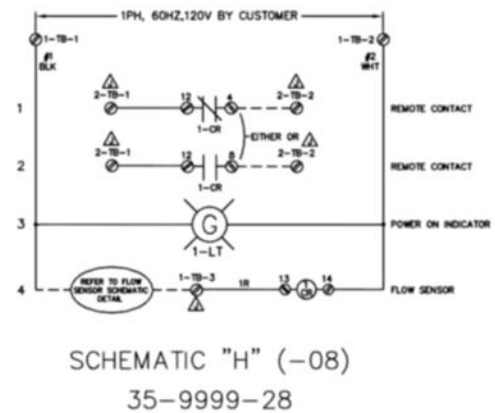
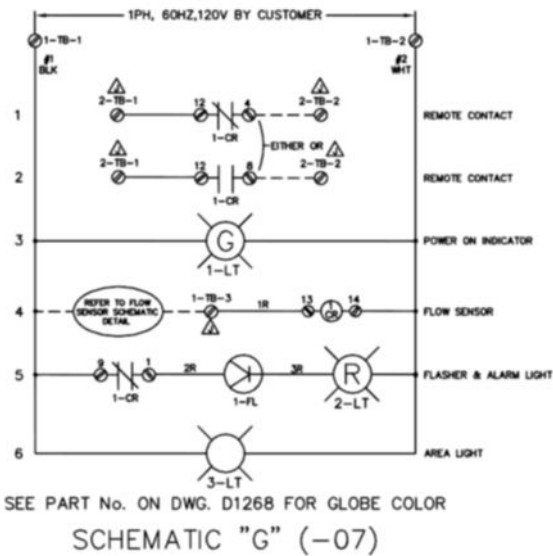
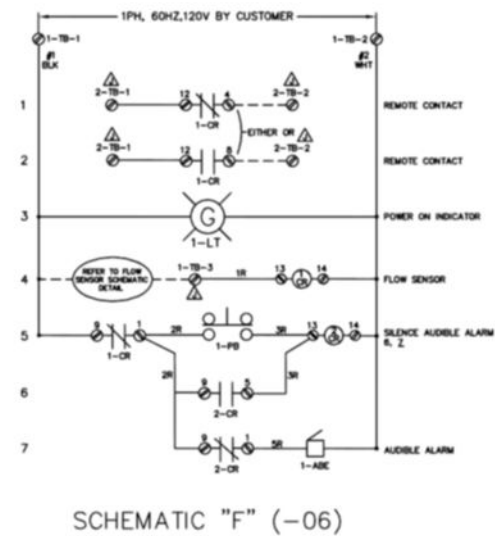
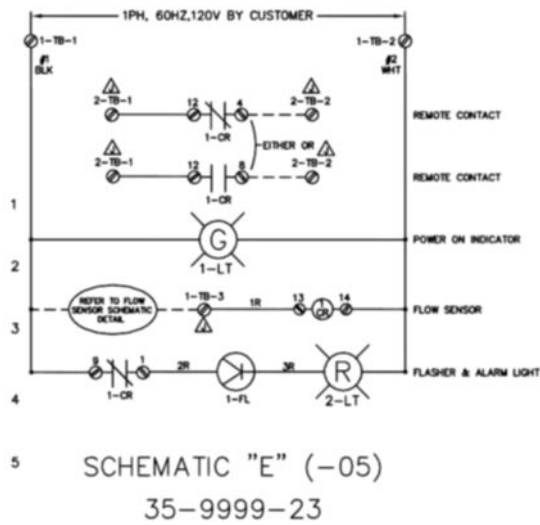


SCHEMATIC "C" (-03)  
35-9999-21



SCHEMATIC "D" (-04)  
35-9999-22

# ELECTRICAL SCHEMATICS (CONT.)



## WARRANTY STATEMENT

ENCON HEREBY DISCLAIMS ALL WARRANTIES EXPRESSED OR IMPLIED INCLUDING BUT NOT LIMITED TO WARRANTIES OF MERCHANTABILITY, FITNESS FOR A PARTICULAR PURPOSE, AND NON-INFRINGEMENT OF THIRD-PARTY RIGHTS, EXCEPT AS HEREINAFTER PROVIDED.

Encon Safety Products warrants that for one year from the date of purchase of any Encon products, the product will be free of defects in materials and workmanship if properly used and cared for or cleaned under normal conditions in accordance with Encon's use and care instructions and properly installed, if applicable, in accordance with Encon's installation instructions. With respect to the product, Encon's only obligation and purchaser's exclusive remedy under this warranty is to repair or replace such product; provided that:

1. Encon is notified of the defect within one year of shipment, and
2. the product is determined by Encon to be defective.

Encon requires proof of original ownership as proof of warranty coverage, and Encon must receive any claim under this Limited Warranty within one year of purchase of the product.

NOTWITHSTANDING ANYTHING TO THE CONTRARY CONTAINED HEREIN, ENCON SHALL NOT BE LIABLE FOR LOSS, DAMAGE, OR EXPENSE ARISING DIRECTLY OR INDIRECTLY AS A CONSEQUENCE OF USE OF THE EQUIPMENT WITH OTHER PRODUCTS OR FROM ANY OTHER CAUSE, INCLUDING ANY CONSEQUENTIAL, INCIDENTAL, SPECIAL OR EXEMPLARY DAMAGES, EXCEPT FOR ENCON'S OBLIGATION TO REPAIR OR REPLACE DEFECTIVE PRODUCTS AS EXPRESSLY PROVIDED IN THIS STATEMENT.

Replacement parts purchased from Encon are warranted for one year following the shipment of such replacement part, or until the expiration of the warranty period for the product, whichever is less. No warranty is given in connection with products that are altered without Encon's expressed written consent. The same warranty limitations and the obligations of Encon as set out herein above shall apply to replacement parts.

Encon's total liability arising out of this warranty (including, but not limited to, warranty claims) regardless of forum and regardless of whether such action or claim is based on tort, contract or otherwise will not exceed the total purchase price of the product.



6825 W. Sam Houston Pkwy. N (77041)  
P.O. Box 3826 • Houston, Texas (77253)  
(713) 466-1449 • Fax (713) 466-1819  
1-800-AT-ENCON / 1-800-283-6266  
[customerservice@enconsafety.com](mailto:customerservice@enconsafety.com)  
<http://www.enconsafety.com>