



SOCKET MOUNTED EYEWASH w/ DRENCH HOSE PART NUMBER: 01090102EW

SPECIFICATION:

Third party certified to ANSI Z358.1, the eyewash shall deliver 2.4 gpm (9.1 lpm) @ 30/70 psi (206.8/482.6 kPa) of flowing pressure. Unit shall provide a non-injurious stream of water for 15 minutes or longer. Unit shall be supplied with ½” chrome plated (CP) single motion activation stay open ball valve with CP ball. Unit shall include SS actuator with actuation graphic, 6-foot (182.9cm) coiled drench hose, wall bracket and 7” X 11” (17.8cm x 27.9cm) sign. Unit shall be supplied with self-adjusting 2.4 gpm (9.1 lpm) regulator to assure a constant and even dual stream flow pattern under 30/70 psi (206.8/482.6 kPa) hydraulic conditions. Eyewash heads with integral hinged covers to be manufactured of solvent resistant acetal mounted on chrome plated brass wye. Eyewash covers are provided to inhibit dust and/or contamination when not in use. Eyewash/drench hose units with deteriorating screens/filters are not acceptable.

Encon Safety Products model 01090102EW includes socket mounted Eyewash/drench hose unit.

***Note:** Where hazardous materials that are injurious to the skin are used, a proper eyewash or eye/facewash installation with an emergency shower should be considered.

MATERIALS OF CONSTRUCTION:

VALVE: ½” chrome plated bronze stay open ball valve with chrome plated ball, stainless steel valve stem and stainless steel push plate with actuation graphic.

HEADS: Acetal dual stream heads with integral hinged covers and chrome plated brass wye assembly.

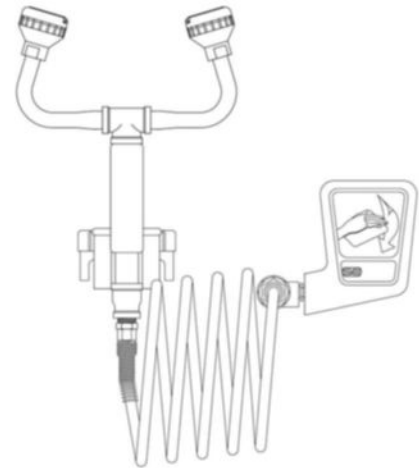
HOSE: 6’ (182.9cm) coiled hose.

REGULATOR: Self-adjusting (2) 2.4 gpm (9.1 lpm) regulator.

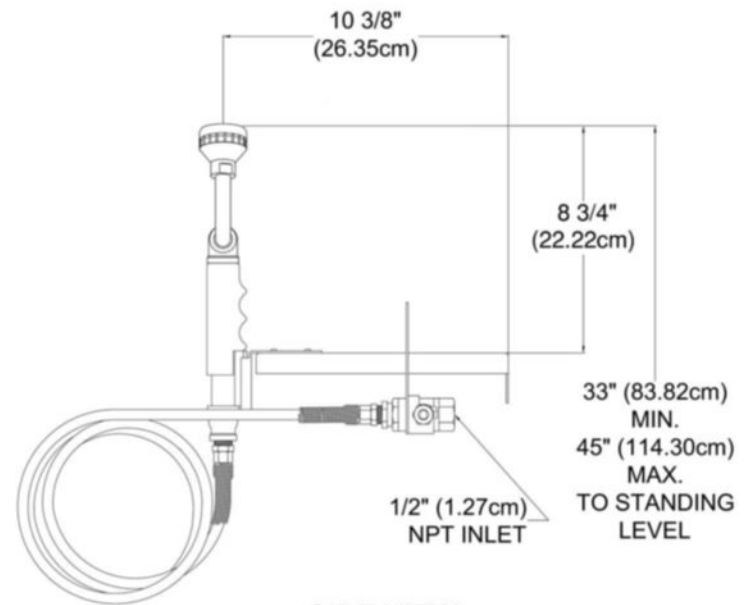
SUPPLY: ½” NPT

WEIGHT: 6 lbs (2.72 kgs)

PRESSURE: Requires 45 psi (310.6 kPa) flowing pressure.



FRONT VIEW



SIDE VIEW